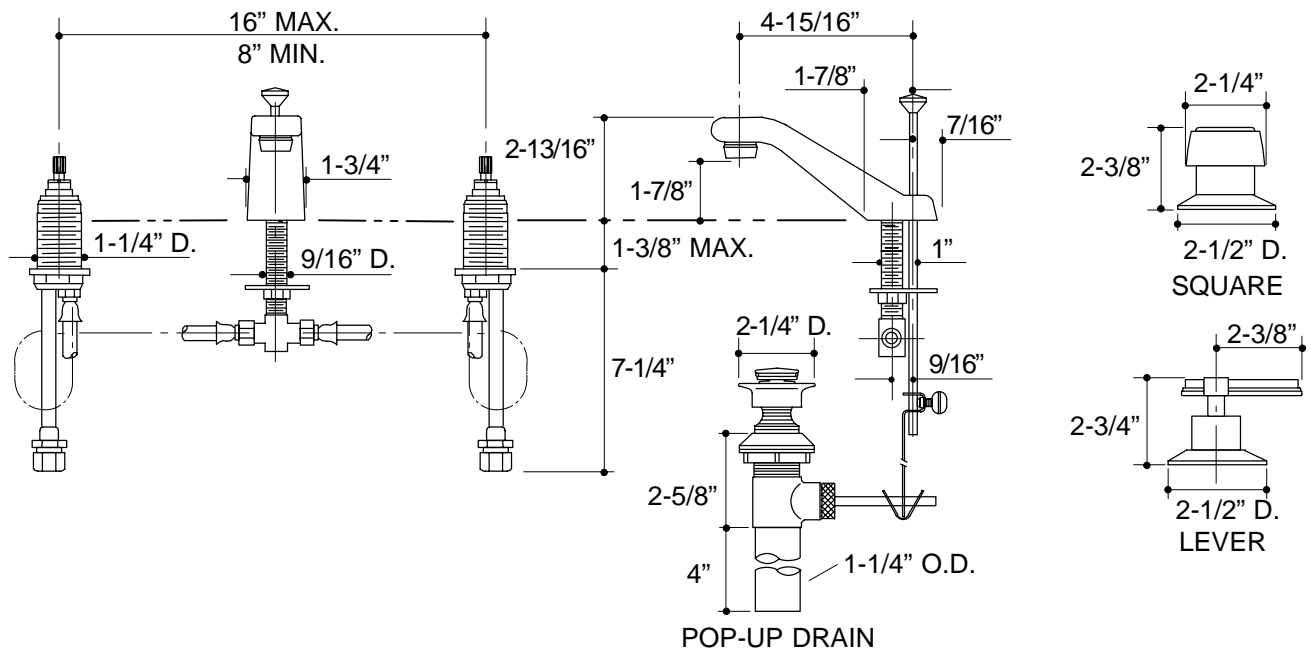


Ordering Information

Applicable faucet:	
Square handles	K-6952-2
Lever handles	K-6952-4
ADA Lever handles are ADA compliant	



316

K-6952 Alterna™ Lavatory Faucet
106970-1-AA (9619)

KOHLER®

NOTES: