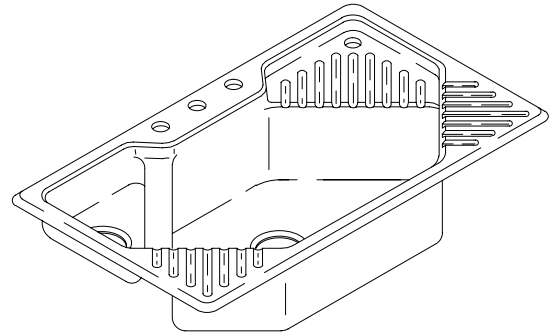


### SELF-RIMMING KITCHEN SINK

# K-5886

#### FEATURES

- 38" x 22"
- Cast iron
- Acid resistant enamel finish
- Self-rimming
- Double compartment with hexagonal basin and smaller triangular disposal basin
- 4-hole drilling
- Corner drainboard



#### CODES/STANDARDS APPLICABLE

Specified model meets or exceeds the following:

- ASME/ANSI A112.19.1M
- IAPMO/UPC
- Canadian Standards Association (CSA)

#### COLORS/FINISHES

- 0 White
- Other Refer to Fixtures Price Book for additional colors

#### Accessories:

- CP Polished Chrome
- NA None Applicable
- Other Refer to Price Book for additional finishes

#### SPECIFIED MODEL:

Model	Description	Colors/Finishes	
K-5886-4	4-hole sink	<input type="checkbox"/> 0 White	<input type="checkbox"/> Other_____

Recommended Accessories			
K-9000	Trap	<input type="checkbox"/> CP	
Optional Accessories			
K-5887	Hardwood cutting board	<input type="checkbox"/> NA	
K-8801	Duostrainer sink strainer	<input type="checkbox"/> CP	<input type="checkbox"/> Other_____

#### PRODUCT SPECIFICATION:

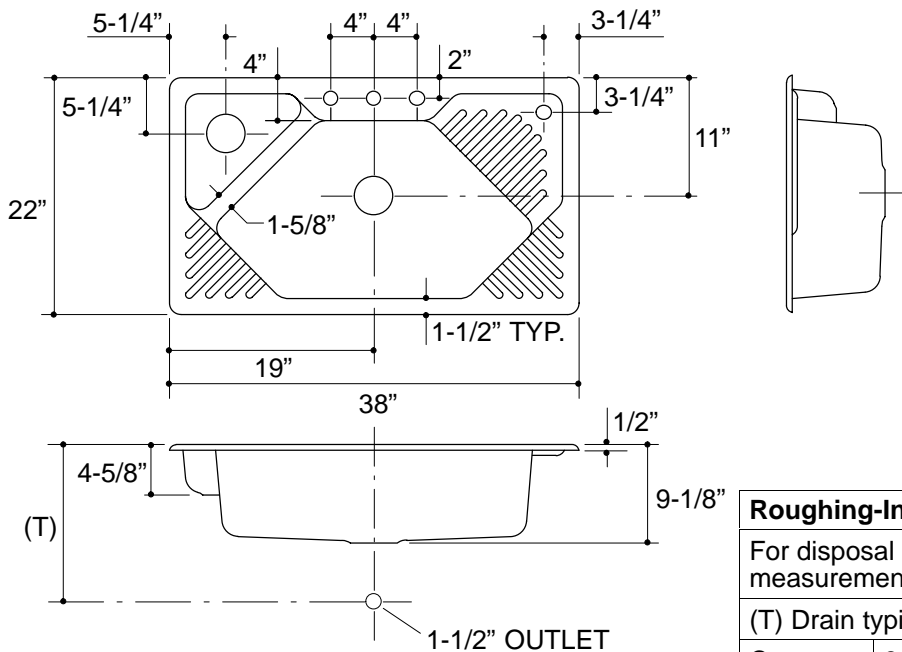
The self-rimming sink shall be 38" in length, and 22" in width. Sink shall be made of cast iron with acid resistant enamel finish. Sink shall be double compartment with hexagonal basin and smaller triangular disposal basin. Sink shall be 4-hole drilled. Sink shall have corner drainboard. Sink shall be Kohler Model K-5886-4-\_\_\_\_\_.

# JULIENNE™

## PRODUCT INFORMATION

Fixture*:		basin area	water depth
Sink		29" x 17"	7-3/4"
Disposal		8" x 11"	3-1/4"
Outlets	3-5/8" D.		
Faucet holes	1-3/8" D.		

\* Approximate measurements for comparison only.



### Roughing-In Notes

For disposal unit, consult supplier for roughing-in measurements.

(T) Drain typically 14-1/2".

Cutout 36-3/4" x 20-3/4" with 1" radius corners.

.9<116

## PRODUCT DIAGRAM