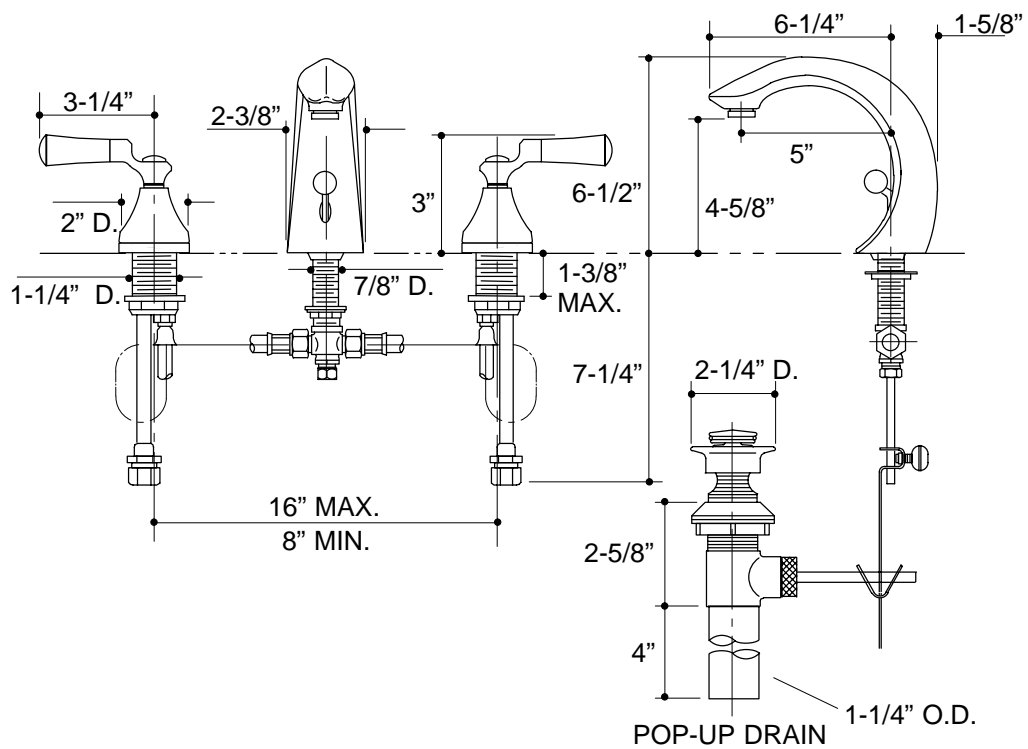


Ordering Information

Applicable faucet:	
Lever handles	K-6245-4
ADA Lever handles are ADA compliant	



316

K-6245-4 Flair™ Lavatory Faucet
 110726-1-AA (9619)

NOTES: