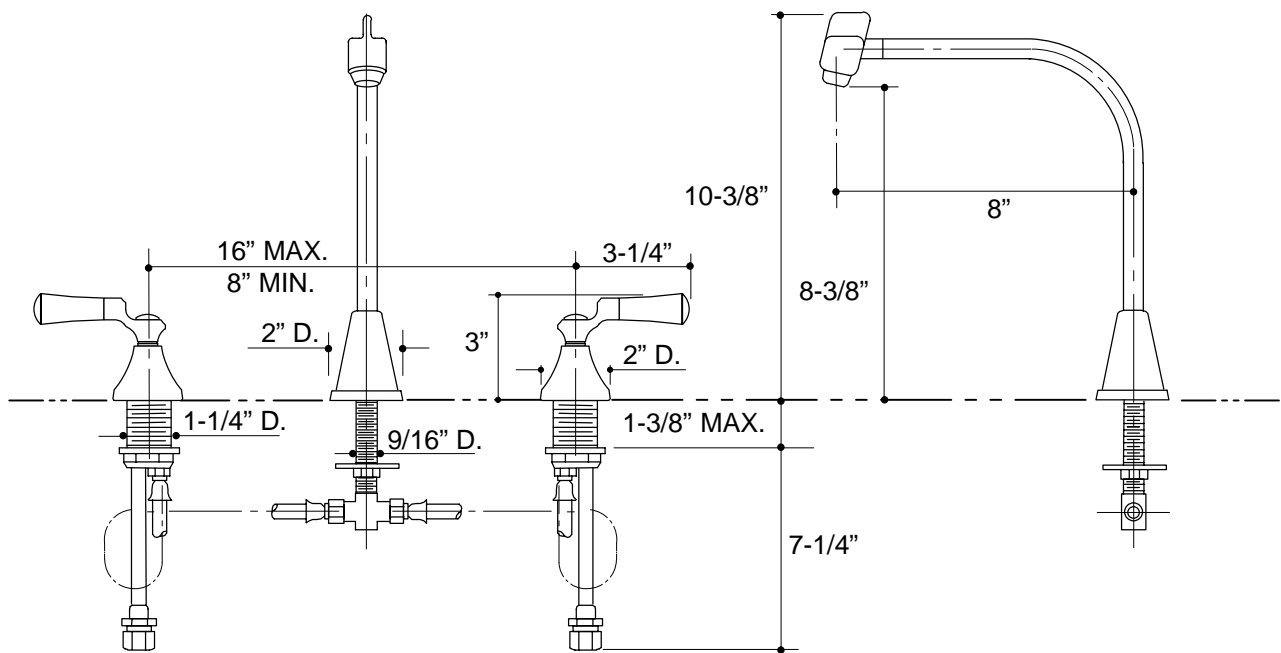


Ordering Information

Applicable faucet:	
Lever handles	K-6272-4
ADA Lever handles are ADA compliant	



316

K-6272-4 Flair™ Kitchen Sink Faucet
110728-1-AA (9619)

NOTES: