

## Ordering Information

Applicable product:		
Two-hole sink	K-3231-2	shown
One-hole sink	K-3231-1	not shown
Accessories/hardware:		
Bottom basin rack	K-3191	optional
Wire rinse basket/dish rack	K-3279	optional

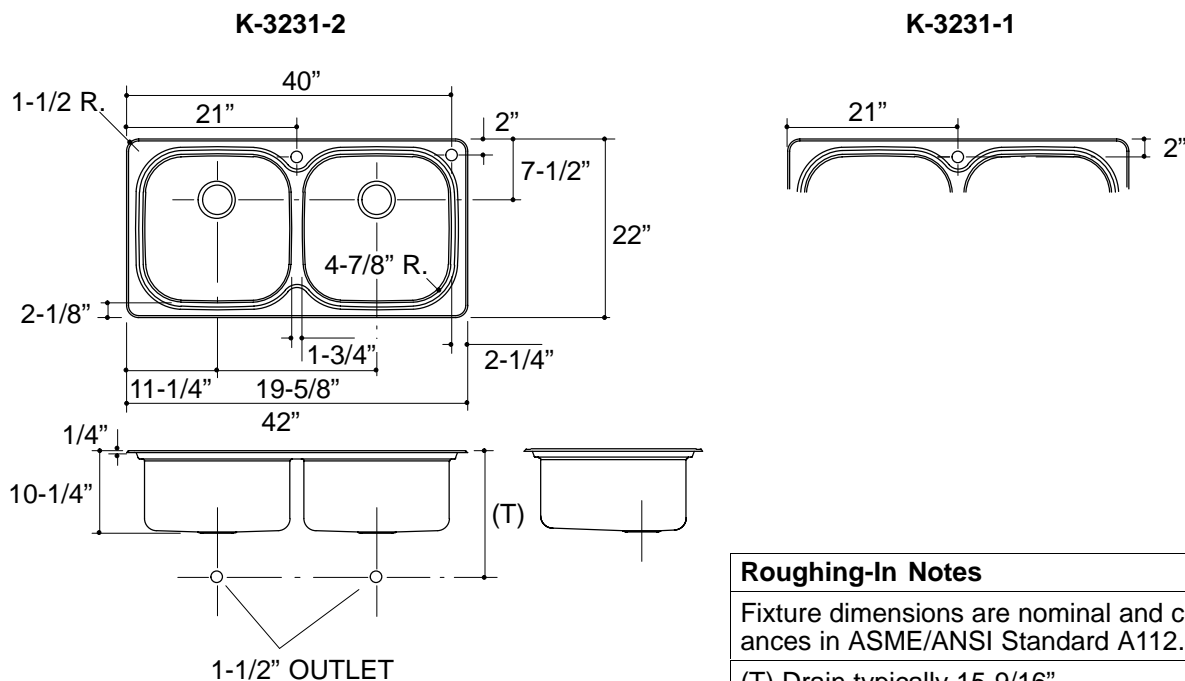
## Product Information

Fixture*:		basin area	water depth
Sink		18" x 18"	9-1/4"
Outlet	3-5/8" D.		
Faucet holes	1-7/16" D.		

\* Approximate measurements for comparison only.

## Installation Notes

Refer to installation instructions included with fixture before beginning installation.



### Roughing-In Notes

Fixture dimensions are nominal and conform to tolerances in ASME/ANSI Standard A112.19.3M.

(T) Drain typically 15-9/16".

Cutout	41-1/2" x 21-1/2" with 1-1/2" radius corners.
--------	---

.8<116