

Ordering Information

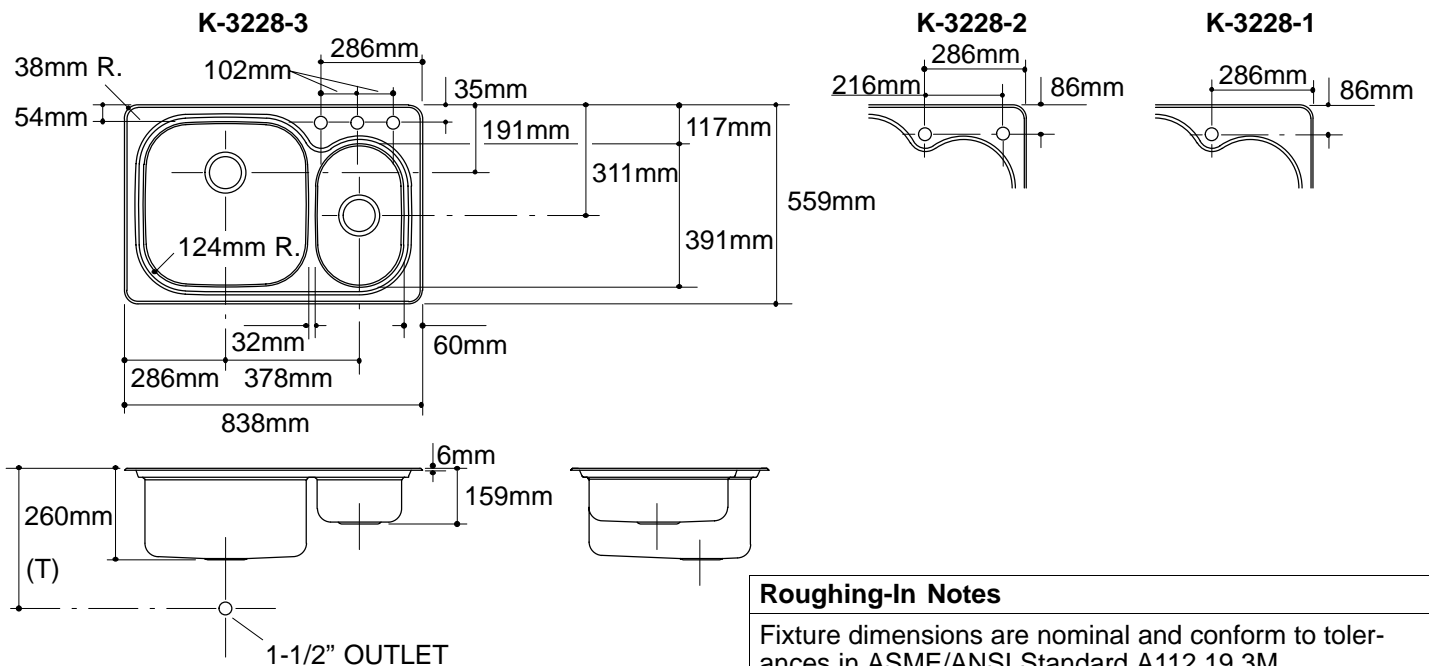
Applicable product:		
Three-hole sink	K-3228-3	shown
Two-hole sink	K-3228-2	not shown
One-hole sink	K-3228-1	not shown
Accessories/hardware:		
Bottom basin rack	K-3191	optional
Hardwood cutting board/ colander package	K-3292	optional
Wire rinse basket/dish rack	K-3279	optional

Product Information

Fixture*:		basin area	water depth
Sink		457 x 432mm	235mm
Disposal		229 x 381mm	133mm
Outlet	Ø92mm		
Faucet holes	Ø37mm		
* Approximate measurements for comparison only.			

Installation Notes

Refer to installation instructions included with fixture before beginning installation.



Roughing-In Notes

Fixture dimensions are nominal and conform to tolerances in ASME/ANSI Standard A112.19.3M.

(T) Drain typically 395mm.

Cutout 826 x 546mm with 38mm radius corners.

.75<116

K-3228 Ravinia™ Sink
110854-1M-BA (-)

KOHLER®