

Ordering Information

Applicable product:		
Five-hole sink	K-3222-5	shown
Three-hole sink	K-3222-3	not shown
One-hole sink	K-3222-1	not shown
Accessories/hardware:		
Hardwood cutting board	K-3278	optional
Wire rinse basket/dishrack	K-3280	optional
Colander	K-3291	optional
Hardwood cutting board/colander package	K-3292	optional

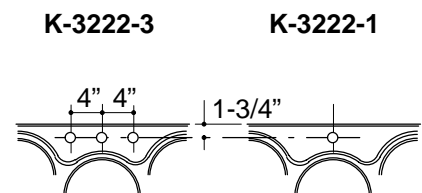
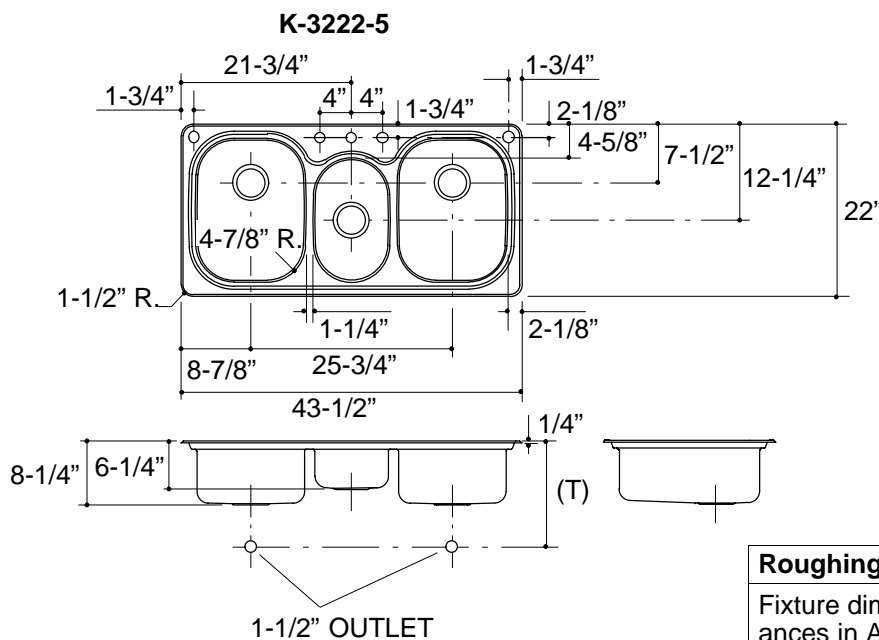
Product Information

Fixture*:		basin area	water depth
Sinks		14" x 18"	7-1/4"
Disposal		9" x 15"	5-1/4"
Outlet	3-5/8" D.		
Faucet holes	1-7/16" D.		
* Approximate measurements for comparison only.			

Included Components:	
Fastener pack	90208

Installation Notes

Refer to installation instructions included with fixture before beginning installation.



Roughing-In Notes

Fixture dimensions are nominal and conform to tolerances in ASME/ANSI Standard A112.19.3M.

(T) Drain typically 13-1/2".

Cutout 43 x 21" with 1-1/2" radius corners.