

Ordering Information

Applicable product:		
Four-hole sink	K-3232-4	shown
Three-hole sink	K-3232-3	not shown
Two-hole sink	K-3232-2	not shown
Accessories/hardware:		
Bottom basin rack	K-3191	optional
Hardwood cutting board	K-3278	optional
Wire rinse basket/ dishrack	K-3279	optional
Colander	K-3291	optional

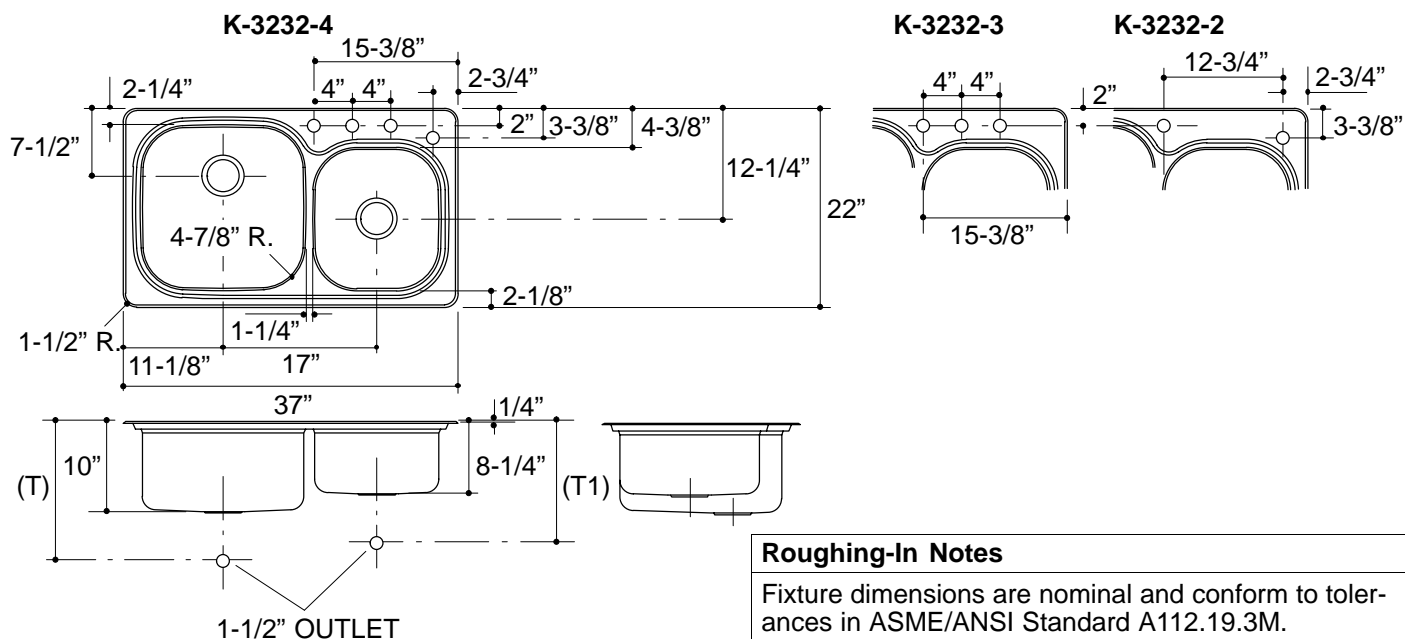
Product Information

Fixture*:		basin area	water depth
Sink, left		18" x 18"	9-1/4"
Sink, right		14" x 15"	7-1/4"
Outlet	3-5/8" D.		
Faucet holes	1-7/16" D.		
* Approximate measurements for comparison only.			

Included Components:	
Fastener pack	90208

Installation Notes

Refer to installation instructions included with fixture before beginning installation.



Roughing-In Notes

Fixture dimensions are nominal and conform to tolerances in ASME/ANSI Standard A112.19.3M.

(T) Drain typically 15-9/16"

(T1) Drain typically 13-1/2".

Cutout 36-1/2" x 21-1/2" with 1-1/2" radius corners.

.75<116

K-3232 Ravinia™ Sink
111031-1-BA (-)

KOHLER®