

Ordering Information

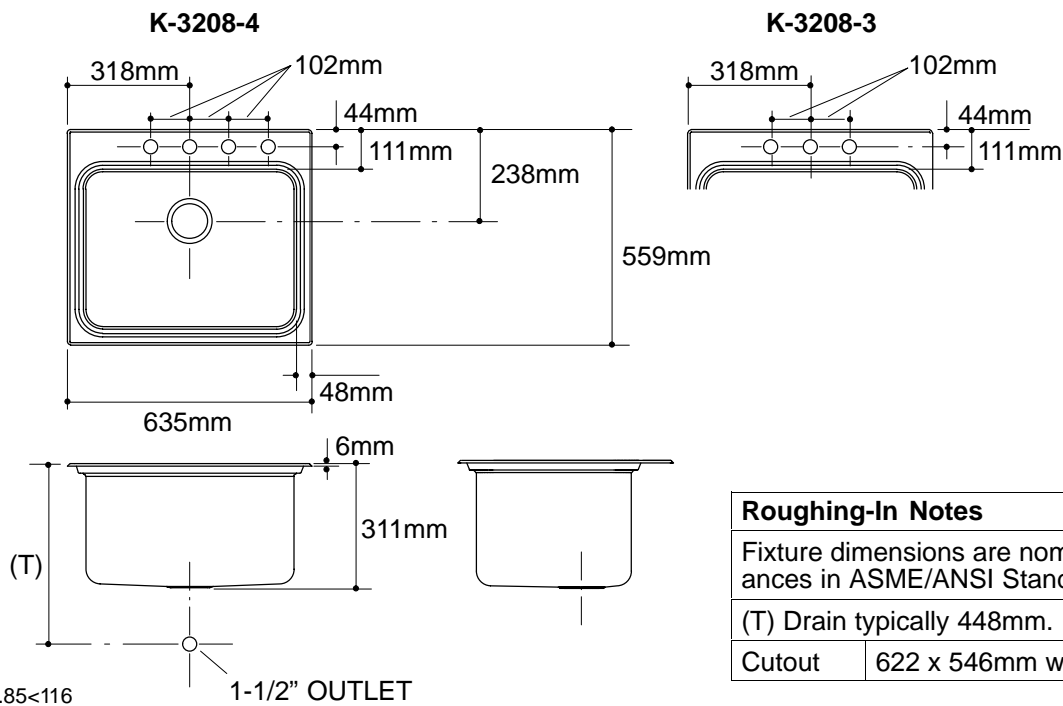
Applicable product:		
Four-hole sink	K-3208-4	shown
Three-hole sink	K-3208-3	not shown
Accessories/hardware:		
Bottom basin rack	K-3192	optional
Wire rinse basket	K-3277	optional
Hardwood cutting board	K-3294	optional

Product Information

Fixture*:		basin area	water depth
Sink		533 x 406mm	305mm
Outlet	Ø92mm		
Faucet holes	Ø37mm		
* Approximate measurements for comparison only.			
Included Components:			
Fastener pack			90208

Installation Notes

Refer to installation instructions included with fixture before beginning installation.



Roughing-In Notes

Fixture dimensions are nominal and conform to tolerances in ASME/ANSI Standard A112.19.3M.

(T) Drain typically 448mm.

Cutout 622 x 546mm with 13mm radius corners.