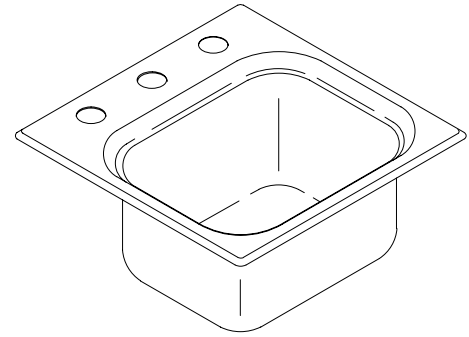


### SELF-RIMMING ENTERTAINMENT SINK

# K-3262

#### FEATURES

- 15" x 15"
- 18 gauge stainless steel
- Self-rimming
- Single compartment
- 3-hole (K-3262-3), 2-hole (K-3262-2), or single-hole (K-3262-1) faucet punching
- Includes installation hardware



#### CODES/STANDARDS APPLICABLE

Specified model meets or exceeds the following:

- IAPMO/UPC
- State of Massachusetts

#### COLORS/FINISHES

- NA None Applicable

#### Accessories:

- CP Polished Chrome
- Other Refer to Price Book for additional finishes

#### SPECIFIED MODEL:

Model	Description	Colors/Finishes
K-3262-3	3-hole sink	<input type="checkbox"/> NA
K-3262-2	2-hole sink	<input type="checkbox"/> NA
K-3262-1	Single-hole sink	<input type="checkbox"/> NA

Optional Accessories			
K-8801	Duostrainer sink strainer	<input type="checkbox"/> CP	<input type="checkbox"/> Other _____

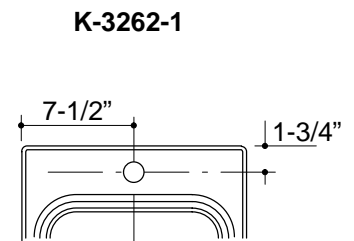
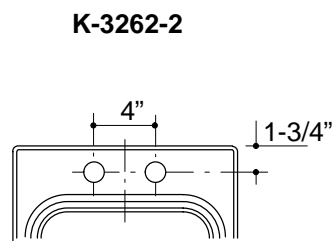
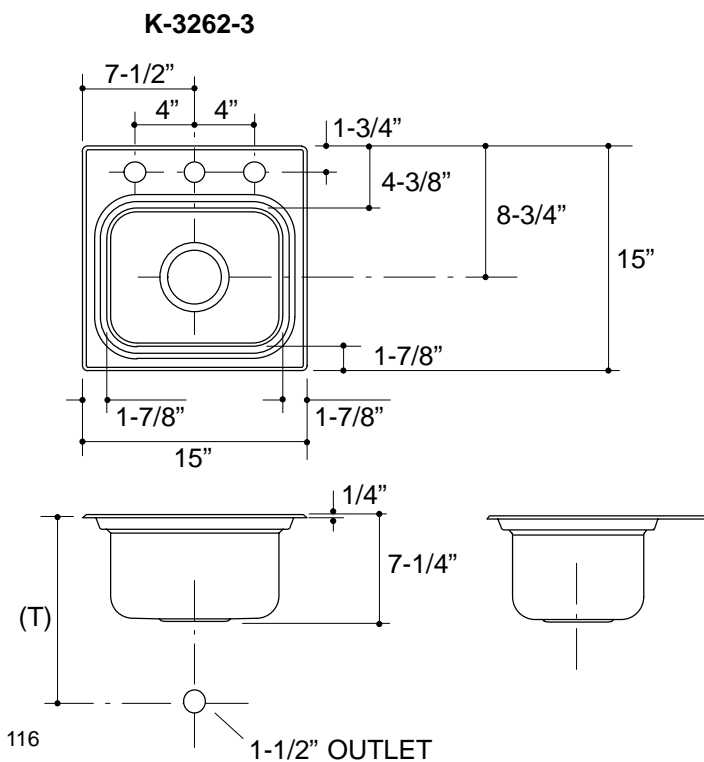
#### PRODUCT SPECIFICATION:

The self-rimming entertainment sink shall be 15" in length, and 15" in width. Sink shall be made of 18 gauge stainless steel. Sink shall be single compartment. Sink shall be 3-hole (K-3262-3), 2-hole (K-3262-2), or single-hole (K-3262-1) faucet punched. Sink shall include installation hardware. Sink shall be Kohler Model K-3262-\_\_\_\_\_-\_\_\_\_\_.

# BALLAD

## PRODUCT INFORMATION

Fixture*:		basin area	water depth
Sink		11" x 9"	7"
Outlet	3-5/8" D.		
Faucet holes	1-7/16" D.		
* Approximate measurements for comparison only.			
Included Components:			
Fastener pack		90208	



### Roughing-In Notes

Fixture dimensions are nominal and conform to tolerances in ASME/ANSI Standard A112.19.3M.

(T) Drain typically 12-1/2".

Cutout 14-1/2" x 14-1/2" with 1/2" radius corners.

## PRODUCT DIAGRAM