

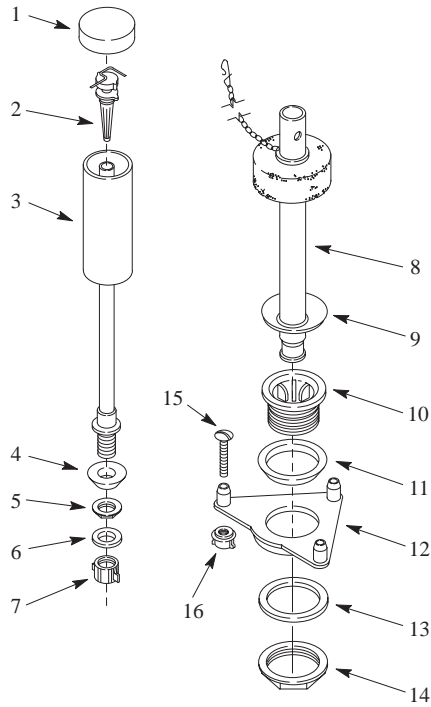
KOHLER® SERVICE PARTS

TOILET AND BIDET FITTINGS

500414§
500416§
FLOAT VALVE ASSEMBLY
FLUSH VALVE ASSEMBLY
(ULF SYSTEM)

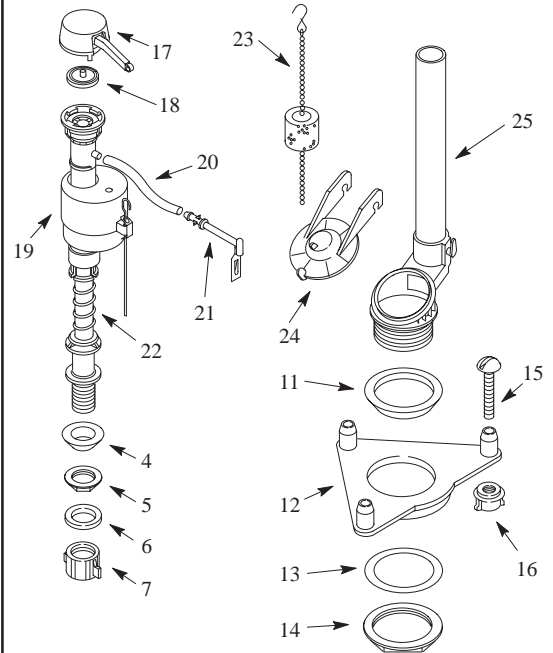
81093
81094
81095
FLOAT VALVE
FLUSH VALVE
FLUSH VALVE
(ULF SYSTEM)

ORDER BY KIT NUMBER OR PART NUMBER, NOT ITEM NUMBER OR KIT LETTER.



Ordering Options

Item	Part No. or Kit
1, 2, 3 A	
4	50843, A
5	42396, A
6	42398, A
7	42397, A
8, 9, 10	A
11	53154, B
12	51487, B
13	50752, B
14	50751, B
15, 16 C	
17	D, E, J
18	56094, D, E, J
19	E, J
20	81219, J
21	81218, J
22	E, J
23	F or G
24	81096, H or I
25	81215, H or I



Kit Ordering Information

Kit	Kit Part No.	Kit Name	Kit Contents
A	500472	Valve Replacement Kit	1 ea., items 1 thru 11, 13 and 14
B	30418	Attachment Hardware Kit	1 ea., items 11, 13, and 14
C	30419	Tank Bolt Kit	3 ea., items 15 and 16
D	56095	Valve Head Assembly	1 ea., items 17 and 18
E	81221	Float Valve Assembly	1 ea., items 17, 18, 19 and 22
F	56098	Chain Assembly (Lined Tank)	1 ea., item 23
G	56099	Chain Assembly (Unlined Tank)	1 ea., item 23
H	81094	Flush Assembly (Lined Tank)	1 ea., items 11, 23, 24 and 25
I	81095	Flush Assembly (Unlined Tank)	1 ea., items 11, 23, 24 and 25
J	81093	Float Valve Assembly	1 ea., items 17 thru 22

KITS MAY INCLUDE EXTRA PARTS

NOTES:

LEGEND:

§ Reference number only.
□ Shading indicates product discontinued.