

Ordering Information

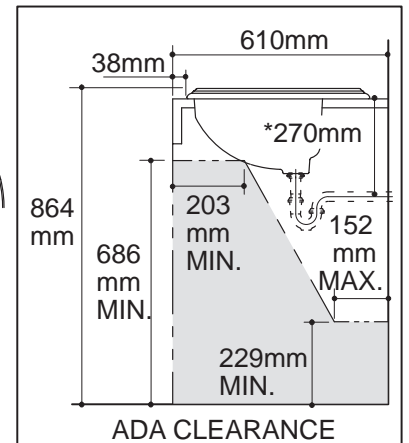
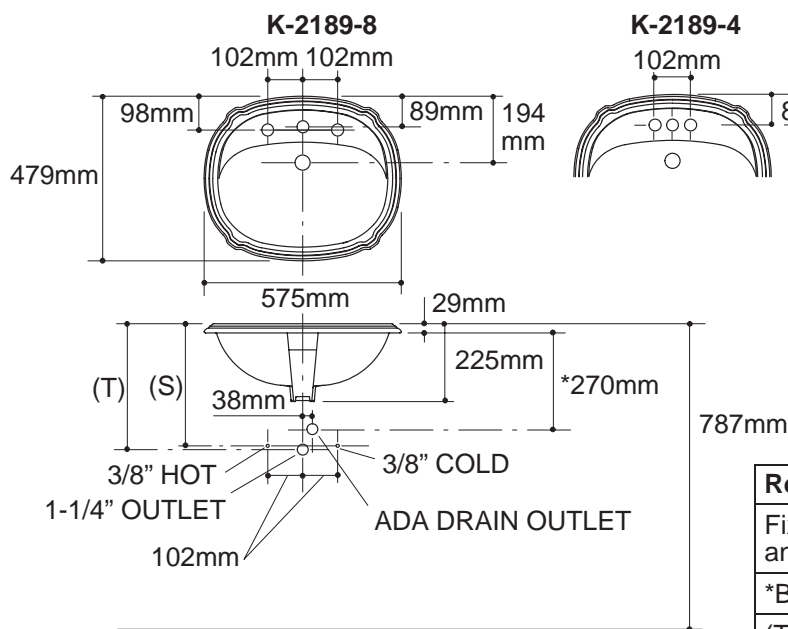
Applicable product:		
203mm centers	K-2189-8	shown
102mm centers	K-2189-4	not shown
Single-hole	K-2189-1	not shown
Accessories/hardware:		
Trap	K-8998	recommended

Product Information

ADA compliant.			
Fixture*:		basin area	water depth
Lavatory		508 x 305mm	127mm
Outlet	Ø44mm		
* Approximate measurements for comparison only.			
Holes	K-2189-4	K-2189-8	K-2189-1
Spout	Ø30mm	Ø30mm	Ø30mm
Faucet	Ø30mm	Ø35mm	
Included Components:			
Adhesive sealant			63034
Cutout template			111349-7

Installation Notes

Refer to installation instructions included with fixture before beginning installation.



Roughing-In Notes

Fixture dimensions are nominal and conform to tolerances in ASME Standard A112.19.2M.

*Based on K-8998, with 25mm tailpiece exposed.

(T) Pop-up drain 367mm.

(S) 356mm (Based on 305mm riser which may require cutting).