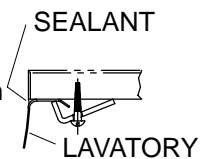
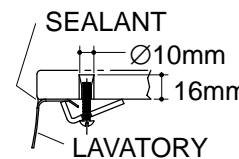
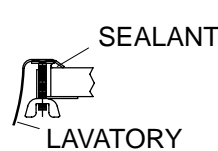
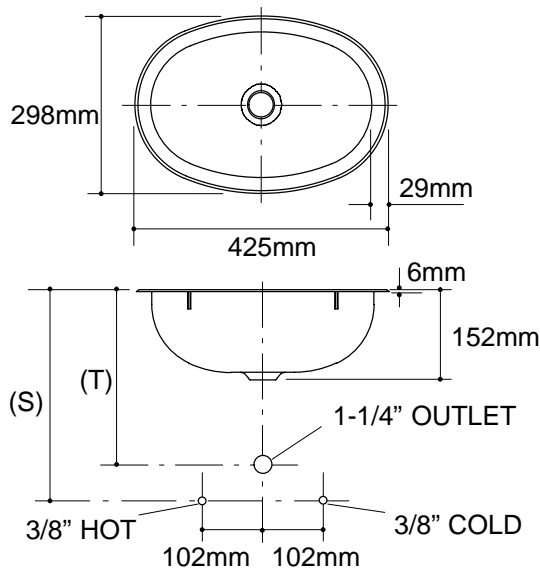


Ordering Information

Applicable lavatory:		
Mirror finish	K-2611-M	shown
Mirror finish without Hushcoat undercoat	K-2611-MU	shown
Satin finish	K-2611-S	shown
Satin finish without Hushcoat undercoat	K-2611-SU	shown

Product Information

Fixture*:		basin area	water depth
Lavatory		381 x 254mm	140mm
Outlet	Ø41mm		
* Approximate measurements for comparison only.			
Included Components:			
Basin clamp assembly (undercounter)	68922		
Basin clamp assembly (self-rimming)	56655		
Drain gasket	33507		
Tube	62603		
Adhesive sealant	63034		
Cutout template	111579		



MARBLE SLAB
INSTALLATION

WOOD COUNTER
INSTALLATION

KIT #56655

KIT #68922

NOTE: WATERPROOF UNPROTECTED OVERHANG AREA OF THE UNDERSIDE OF WOOD COUNTER.

Roughing-In Notes

Fixture dimensions are nominal and conform to tolerances in ASME/ANSI Standard A112.19.3M.

(T) Pop-up drain 295mm, grid drain 273mm.

(S) 356mm (Based on 305mm riser which may require cutting).

Supplied basin clamp assemblies require 19mm minimum countertop thickness. Installer must supply anchors for thinner countertops.

1.25>116

K-2611 Bolero™ Lavatory
111848-1M-AA (A)

KOHLER®