

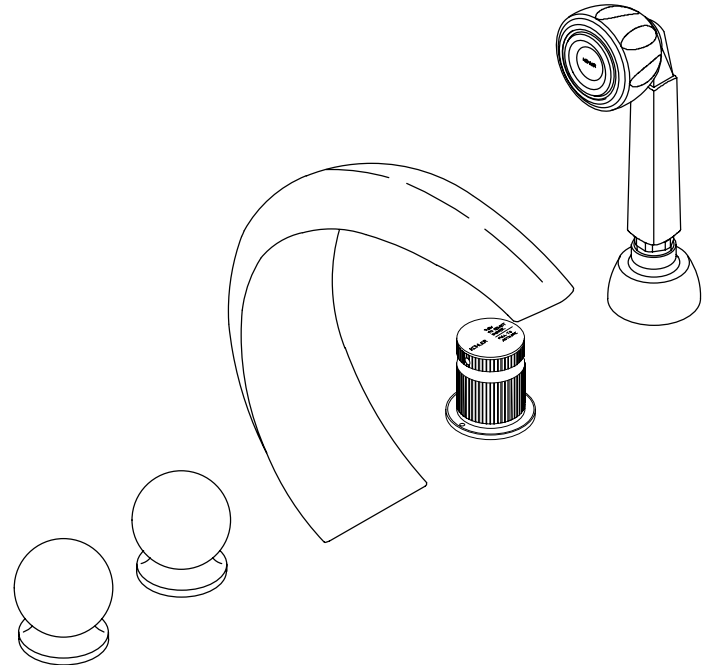
FEATURES

- Brass construction
- Bath- or deck-mount
- Brass valve bodies
- 3/4" quarter-turn washerless ceramic disc valves
- 7-1/2" Crescent non-diverter spout with N.P.T. connection
- Ball handles
- Persona™ handshower
- Three-way diverter valve/vacuum breaker

CODES/STANDARDS APPLICABLE

Specified model meets or exceeds the following:

- ASME/ANSI A112.18.1M
- California Energy Commission
- Canadian Standards Association (CSA)
- Energy Policy Act of 1992
- NSF 14



COLORS/FINISHES

- CP Polished Chrome
- PB Polished Brass

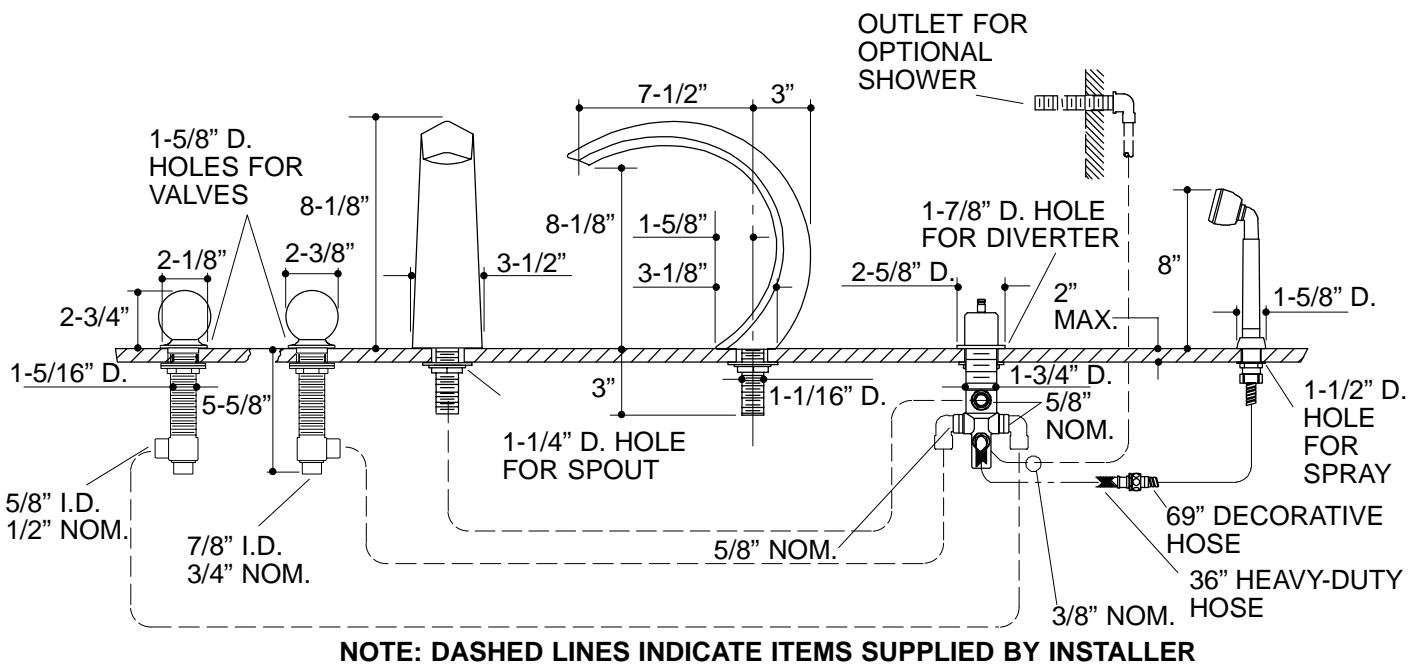
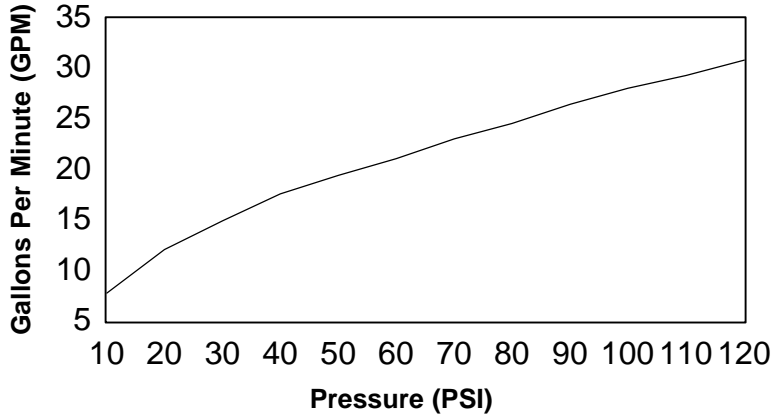
SPECIFIED MODEL:

Model	Description	<input type="checkbox"/> CP	<input type="checkbox"/> PB
K-7913-8	Cirrus Bath- or Deck-Mount Bath Faucet with Handshower	<input type="checkbox"/> CP	<input type="checkbox"/> PB

PRODUCT SPECIFICATION:

Two-handle bath- or deck-mount bath faucet shall be of brass construction. Faucet shall feature brass valve bodies. Faucet shall feature 3/4" quarter-turn washerless ceramic disc valves, assuring positive handle stop positioning. Product shall include 7-1/2" Crescent non-diverter spout with N.P.T. connection, ball handles, Persona handshower, and three-way diverter valve/vacuum breaker. Faucet shall be Kohler Model K-7913-8-_____.

PERFORMANCE DATA



.9<18

PRODUCT DIAGRAM