

**Ordering Information**

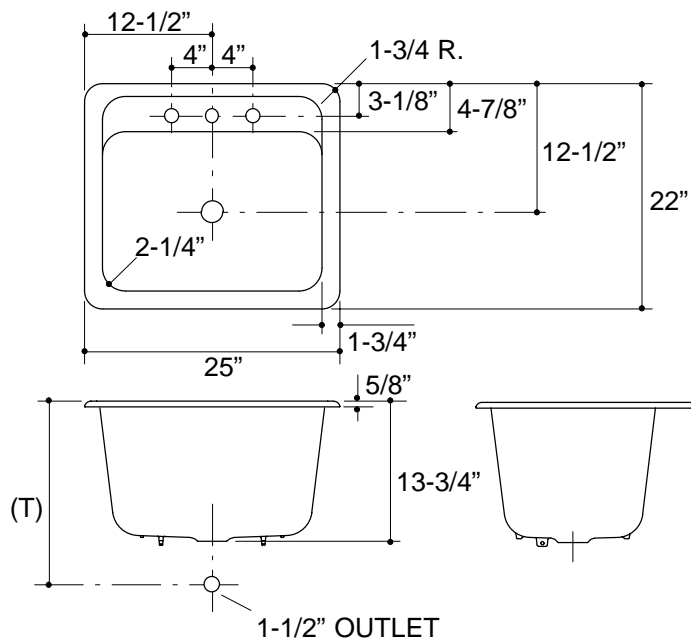
Applicable product:		
Three-hole sink	K-6749-3	shown

**Product Information**

Fixture*:		basin area	water depth
Sink		22" x 15"	12-1/2"
Water capacity	14 gallons		
Outlet	2-1/8" D.		
Faucet holes	1-3/8" D.		
* Approximate measurements for comparison only.			

**Installation Notes**

Refer to installation instructions included with fixture before beginning installation.



<b>Roughing-In Notes</b>	
Fixture dimensions are nominal and conform to tolerances in ASME/ANSI Standard A112.19.1M.	
(T) Drain typically 17-3/4".	
Cutout	23-1/2" x 20-1/2" with 1" radius corners.

.85>116