

Ordering Information

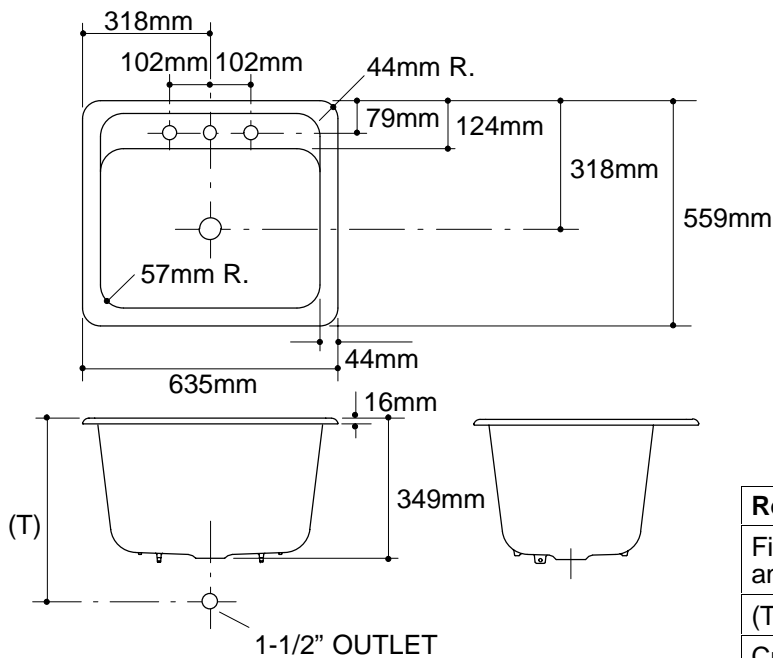
Applicable product:		
Three-hole sink	K-6749-3	shown

Product Information

Fixture*:		basin area	water depth
Sink		559 x 381mm	318mm
Water capacity	53 litres		
Outlet	Ø54mm		
Faucet holes	Ø35mm		
* Approximate measurements for comparison only.			

Installation Notes

Refer to installation instructions included with fixture before beginning installation.



Roughing-In Notes

Fixture dimensions are nominal and conform to tolerances in ASME/ANSI Standard A112.19.1M.

(T) Drain typically 451mm.

Cutout 597 x 521mm with 25mm radius corners.

.85>116