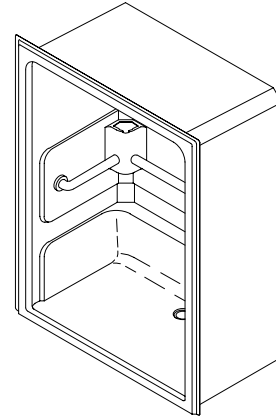


#### FEATURES

- 56" x 48-1/4" x 83-1/4"
- Acrylic
- Integral soap ledges
- Nylon grab bars
- Stainless steel grab bars (-SS)
- White or Almond only (K-12492-SS)
- Slip-resistant floor



#### CODES/STANDARDS APPLICABLE

Specified model meets or exceeds the following:

- ANSI Z124.2

#### COLORS/FINISHES

- 0 White
- Other Refer to Fixtures Price Book for additional colors

#### Accessories:

- CP Polished Chrome
- PB Polished Brass
- Other Refer to Faucets Price Book for additional finishes
- NA None Applicable

#### SPECIFIED MODEL:

Model	Description	Colors/Finishes		
K-12494	Shower module with nylon grab bars	<input type="checkbox"/> 0 White	<input type="checkbox"/> Other_____	
K-12494-SS	Shower module with stainless steel grab bars	<input type="checkbox"/> 0 White	<input type="checkbox"/> Other_____	
Recommended Accessories				
K-9132	Drain	<input type="checkbox"/> CP	<input type="checkbox"/> PB	<input type="checkbox"/> Other_____
Optional Accessories				
K-1570	Dome light	<input type="checkbox"/> NA		

#### PRODUCT SPECIFICATION:

The shower module shall be 56" in length, 48-1/4" in width, and 83-1/4" in height. Shower module shall be made of acrylic. Shower module shall have an integral soap ledge. Shower module shall have nylon grab bars. Shower module shall have stainless steel grab bars (-SS). Shower module shall have a slip-resistant floor. Shower module shall be Kohler Model K-\_\_\_\_\_-\_\_\_\_\_-\_\_\_\_\_.

# FREEWILL™

## PRODUCT INFORMATION

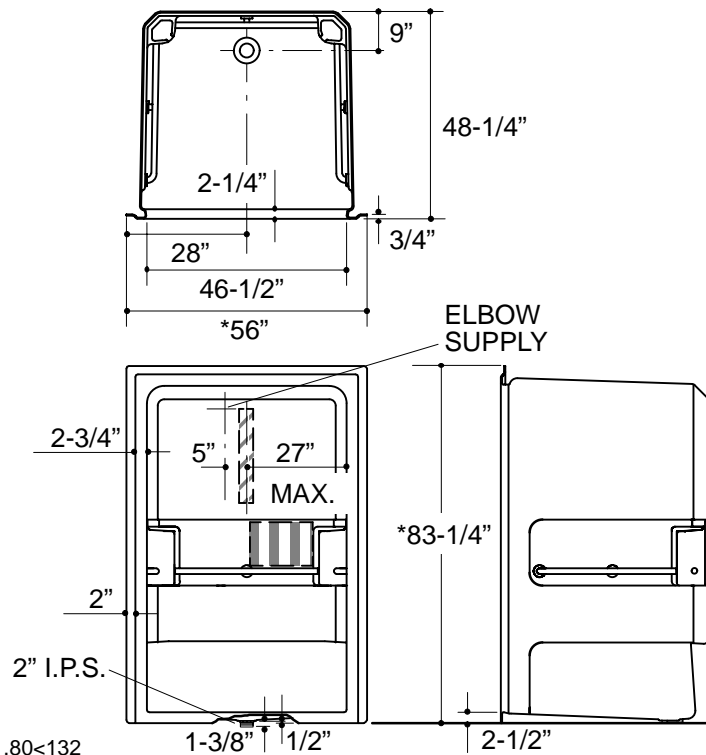
Fixture:	
Weight	290 lbs.
Configuration	1-piece
Drain Outlet	3-1/4" D.

## INSTALLATION NOTES

Fixture not drilled for supply fittings.

Shimming may be required to level fixture.

For optimum accessibility, specify faucets and fittings to install and operate within the control area shown.



### Roughing-In Notes

\*Recess opening must be 56" x 83-1/4"

Stud opening tolerance (+ 1/4" - 0"). When fire rated wall is specified, dimensions are to the inside of the wall board. Some shimming between stud frame and fixture may be required.

Provide clear floor space per ANSI A117.1, and as shown.

	Represents control area for faucets.
	Represents 24" wall mount slide bar.
	Represents clear floor space for 36" x 48" side entrance.
	Represents clear floor space for 48" x 48" front entrance.

## PRODUCT DIAGRAM