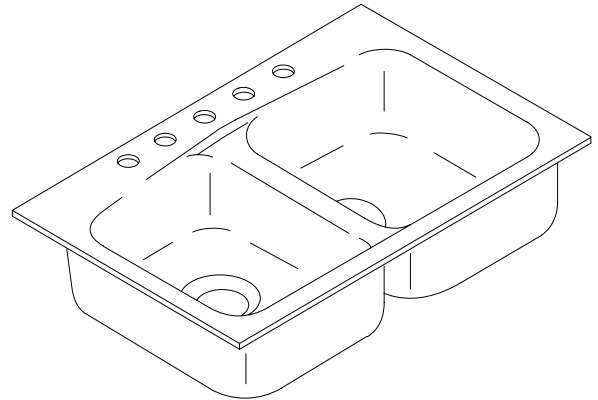


#### FEATURES

- 33" x 22"
- Cast iron
- Acid resistant enamel finish
- Tile-in
- Double (equal) compartment
- 4-hole (K-5898-4) or 5-hole (K-5898-5) drilling



#### CODES/STANDARDS APPLICABLE

Specified model meets or exceeds the following:

- ASME/ANSI A112.19.1M
- IAPMO/UPC
- Canadian Standards Association (CSA)
- State of Massachusetts

#### COLORS/FINISHES

- 0 White
- Other Refer to Fixtures Price Book for additional colors

#### Accessories:

- CP Polished Chrome
- 0 White
- Other Refer to Price Book for additional colors
- NA None Applicable

#### SPECIFIED MODEL:

Model	Description	Colors/Finishes	
K-5898-4	4-hole sink	<input type="checkbox"/> 0 White	<input type="checkbox"/> Other_____
K-5898-5	5-hole sink	<input type="checkbox"/> 0 White	<input type="checkbox"/> Other_____

Recommended Accessories			
K-9000	Trap	<input type="checkbox"/> CP	
Optional Accessories			
K-6507	Hardwood cutting board	<input type="checkbox"/> NA	
K-6510	Wire rinse basket	<input type="checkbox"/> 0 White	<input type="checkbox"/> Other_____
K-6010	Bottom basin rack	<input type="checkbox"/> 0 White	<input type="checkbox"/> Other_____
K-8801	Duostrainer sink strainer	<input type="checkbox"/> CP	<input type="checkbox"/> Other_____

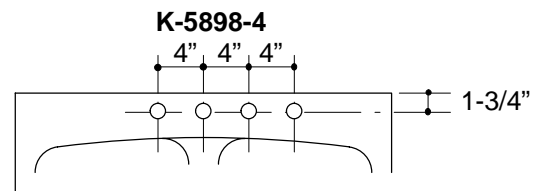
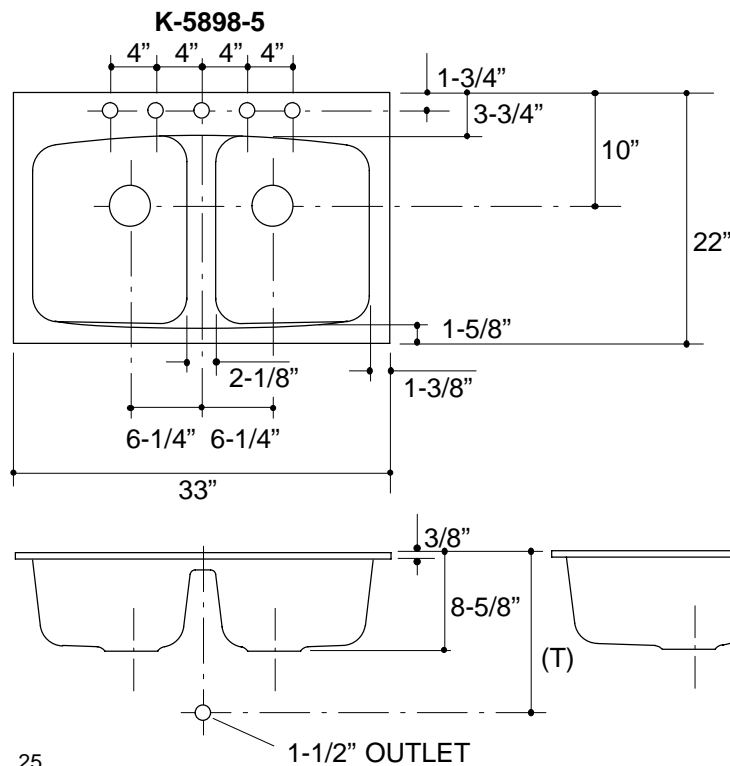
#### PRODUCT SPECIFICATION:

The tile-in sink shall be 33" in length and 22" in width. Sink shall be made of cast iron with acid resistant enamel finish. Sink shall be double (equal) compartment. Sink shall be 4-hole (K-5898-4), or 5-hole (K-5898-5) drilled. Sink shall be Kohler Model K-5998-\_\_\_\_\_-\_\_\_\_\_.

# BROOKFIELD™

## PRODUCT INFORMATION

Fixture*:		basin area	water depth
Sinks		14" x 17"	6-3/4"
Outlet	3-7/8" D.		
Faucet holes	1-3/8" D.		
* Approximate measurements for comparison only.			



### Roughing-In Notes

(T) Drain typically 14-7/8".

Cutout 31-3/4" x 20-3/4" with 1" radius corners.

## PRODUCT DIAGRAM