

### Ordering Information

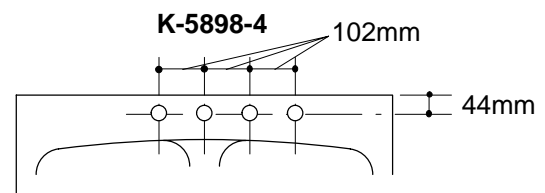
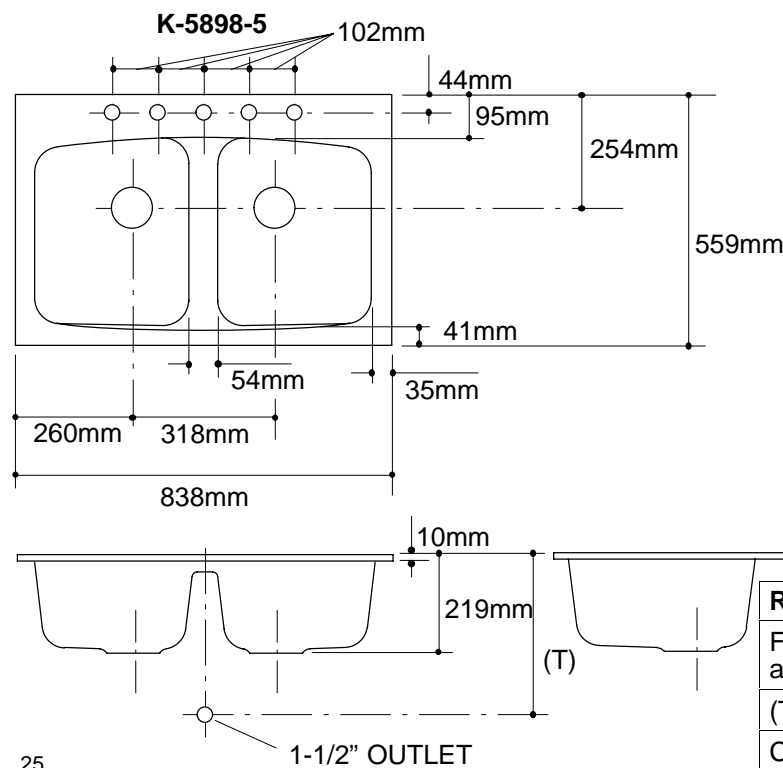
Applicable product:		
Five-hole sink	K-5898-5	shown
Four-hole sink	K-5898-4	not shown
Accessories/hardware:		
Hardwood cutting board	K-6507	optional
Wire rinse basket	K-6510	optional
Bottom basin rack	K-6010	optional

### Product Information

Fixture*:		basin area	water depth
Sinks		356 x 432mm	171mm
Outlet	Ø98mm		
Faucet holes	Ø35mm		
* Approximate measurements for comparison only.			

### Installation Notes

Refer to installation instructions included with fixture before beginning installation.



#### Roughing-In Notes

Fixture dimensions are nominal and conform to tolerances in ASME/ANSI Standard A112.19.1M.

(T) Drain typically 378mm.

Cutout	806 x 527mm with 25mm radius corners.
--------	---------------------------------------