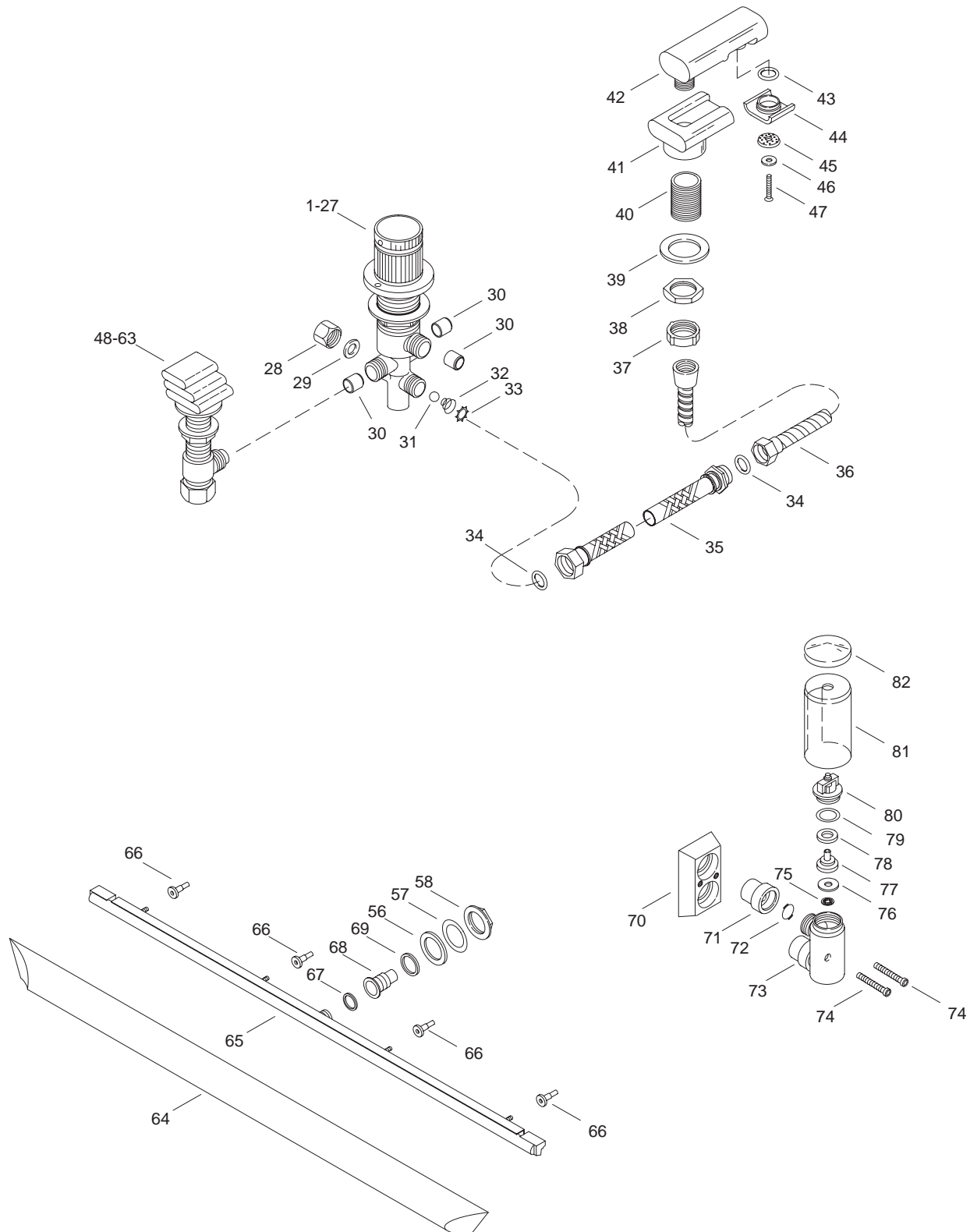
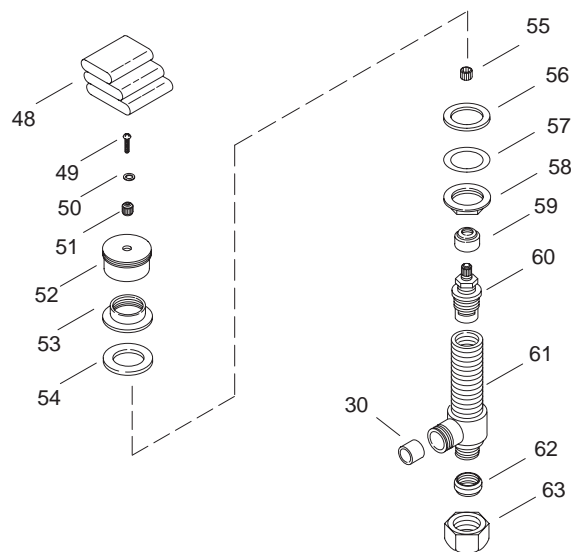
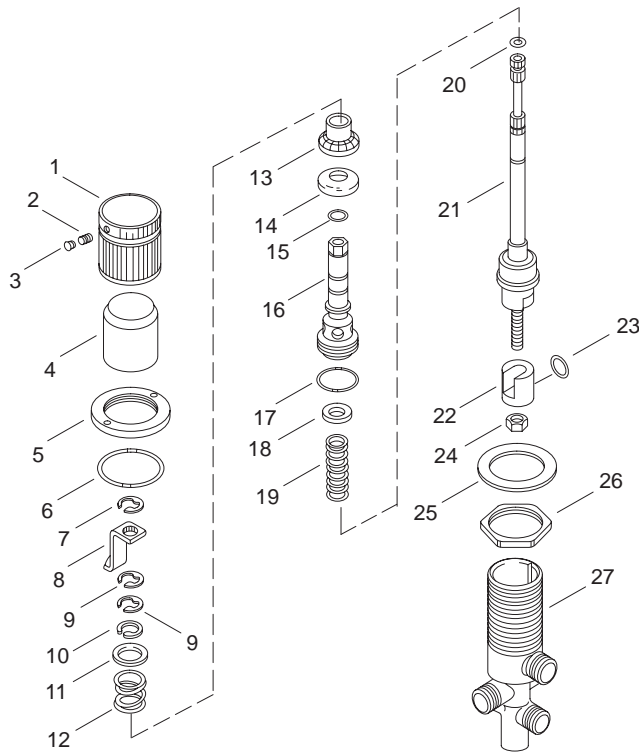


KOHLER[®] SERVICE PARTS

SEAWALL SPOUT AND
PERSONAL SHOWER SYSTEM
K-9570-PL-**-AA
K-9570-PL-**-BA



Variation and/or finish/color code may be required when ordering.



Variation and/or finish/color code may be required when ordering.

KOHLER® SERVICE PARTS

SEAWALL SPOUT AND PERSONAL SHOWER SYSTEM K-9570-PL-**-AA K-9570-PL-**-BA

SERVICE PARTS

ITEM	PART NO.	DESCRIPTION
1	52714	Handle Assembly
2	34453	Screw, .164-32 UNC-3A
3	52723	Hole Plug
4	52665	Sleeve
5	52666	Flange
6	48686	O-Ring
7	50593	E-Ring
8	50338	Detent
9	50541	E-Ring
10	54997	Clip, Retaining
11	54996	Washer
12	54995	Spring
13	55003	Backing Ring, Diaphragm
14	55004	Diaphragm
15	55110	O-Ring
16	73485	Seat, Valve Diverter
	70427	Lubricant Capsule (Not Shown)
17	41391	O-Ring
18	55413	Washer
19	54998	Spring
20	55109	O-Ring
21	59239	Stem Subassembly
22	55001	Spool
23	55108	O-Ring
24	57088	Lock Nut, Hex Jam
25	54994	Washer
26	55002	Nut, 1.75-16 UNS-2B
27	73628	Valve Body
28	52745	Hex Cap
29	40295	Washer
30	55766	Bushing, Reducer
31		Available In Service Kit Only
32		Available In Service Kit Only
33		Available In Service Kit Only
34	41163	Washer
35	21485	High Pressure Hose
36	52600	Hose, High Pressure
37	52593	Cap Nut, Plastic
38	52595	Nut, 1.187-20 UN-2B
39	52596	Washer, Brass
40	52594	Tube, Brass Threaded
41	52100	Holder Base
42	58911	Hand Shower Assembly
43	71015	O-Ring
44	52105	Bezel
45	58004	Spray Ring, Large
46	52108	Spray Ring, Small
47	52630	Screw, .190-32 UNF x .875
48	50667	Pillow Handle Assembly
49	51677	Screw, .164-32 UNC-2A x .380
50	35789	External Lockwasher
51	29772	Spline Adapter
52	51219	Handle Base
53	52112	Escutcheon
54	34037	Gasket, 1-1/2" x 2-3/16"
55	40353	Spline Adapter Assembly
56	22400	Washer
57	22352	Washer
58	22351	Nut
59	46115	Stabilizer
60	22377	Ceramic Valve, Clockwise Close
61	55041	Valve Assembly, Side-3/4"
62	50726	Ferrule
63	50725	Nut, .75-14 NPSM
64	90406	Shroud Assembly
65	90400	Tube, Tube Faucet
66	91368	Fastener, .250-20 UNC-2B
67	90482	O-Ring
68	90403	Sleeve, Tube Faucet
69	90411	Gasket, Tube Faucet
70	21288	Bracket Assembly, Wall
71	21276	Sleeve, Vacuum Breaker
72	34300	O-Ring
73	21275	Body & Bushing Assembly

ITEM	PART NO.	DESCRIPTION
74	21279	Screw, .190-24 UNC-2A
75	56439	Retaining Ring
76	56438	Rubber Washer
77	56440	Float
78	21272	Gasket, .460 x .890
79	21271	O-Ring
80	21278	Cap, Vacuum Breaker
81	21283	Shroud, 2" Diameter
82	21281	Cover For 2" Diameter Shroud

SERVICE KITS

PART NO.	ITEM	QTY.	DESCRIPTION	
500469			Diverter, 3-Way	
	1	1 ea.	Handle Assembly	
	2	1 ea.	Screw, .164-32 UNC-3A	
		3	1 ea.	Hole Plug
		4	1 ea.	Sleeve
		5	1 ea.	Flange
		6	1 ea.	O-Ring
		7	1 ea.	E-Ring
		8	1 ea.	Detent
		9	1 ea.	E-Ring
		10	1 ea.	Clip, Retaining
		11	1 ea.	Washer
		12	1 ea.	Spring
		13	1 ea.	Backing Ring, Diaphragm
		14	1 ea.	Diaphragm
		15	1 ea.	O-Ring
		16	1 ea.	Seat, Valve Diverter
		17	1 ea.	O-Ring
		18	1 ea.	Washer
		19	1 ea.	Spring
		20	1 ea.	O-Ring
		21	1 ea.	Stem Subassembly
		22	1 ea.	Spool
		23	1 ea.	O-Ring
		24	1 ea.	Lock Nut, Hex Jam
		25	1 ea.	Washer
		26	1 ea.	Nut, 1.75-16 UNS-2B
		27	1 ea.	Valve Body
		28	1 ea.	Hex Cap
		29	1 ea.	Washer
		30	7 ea.	Bushing, Reducer
		31	1 ea.	Ball, Check
		32	1 ea.	Spring, Conical
	33	1 ea.	Retaining Ring	
54991			Diverter Valve Assembly	
	7	1 ea.	E-Ring	
	8	1 ea.	Detent	
	9	1 ea.	E-Ring	
	10	1 ea.	Clip, Retaining	
	11	1 ea.	Washer	
	12	1 ea.	Spring	
	13	1 ea.	Backing Ring, Diaphragm	
	14	1 ea.	Diaphragm	
	15	1 ea.	O-Ring	
	16	1 ea.	Seat, Valve Diverter	
	17	1 ea.	O-Ring	
	18	1 ea.	Washer	
19	1 ea.	Spring		
20	1 ea.	O-Ring		
21	1 ea.	Stem Subassembly		
22	1 ea.	Spool		
23	1 ea.	O-Ring		
24	1 ea.	Lock Nut, Hex Jam		
25	1 ea.	Washer		
26	1 ea.	Nut, 1.75-16 UNS-2B		
27	1 ea.	Valve Body		
29	1 ea.	Washer		
30	7 ea.	Bushing, Reducer		
31	1 ea.	Ball, Check		
32	1 ea.	Spring, Conical		
33	1 ea.	Retaining Ring		

Variation and/or finish/color code may be required when ordering.

SERVICE KITS

PART NO.	ITEM	QTY.	DESCRIPTION	PART NO.	ITEM	QTY.	DESCRIPTION	
73619			Seat Subassembly Kit	59237			Check Valve Kit	
	3	1 ea.	Hole Plug		31	1 ea.	Ball, Check	
	10	1 ea.	Clip, Retaining		32	1 ea.	Spring, Conical	
	11	1 ea.	Washer	33	1 ea.	Retaining Ring		
	12	1 ea.	Spring	56436			Float Assembly	
	13	1 ea.	Backing Ring, Diaphragm		75	1 ea.	Retaining Ring	
	14	1 ea.	Diaphragm		76	1 ea.	Rubber Washer	
	15	1 ea.	O-Ring		77	1 ea.	Float	
	16	1 ea.	Seat, Valve Diverter		78	1 ea.	Gasket, .460 x .890	
		1 ea.	Lubricant Capsule (Not Shown)	30372			Valve Service Kit	
	17	1 ea.	O-Ring		72	2 ea.	O-Ring	
	54992			Stem Subassembly Kit	74	2 ea.	Screw, .190-24 UNC-2A	
		18	1 ea.	Washer	77	1 ea.	Float	
		19	1 ea.	Spring	78	1 ea.	Gasket, .460 x .890	
		20	1 ea.	O-Ring	79	1 ea.	O-Ring	
		21	1 ea.	Stem Subassembly				
		22	1 ea.	Spool				
23		1 ea.	O-Ring					
24		1 ea.	Lock Nut, Hex Jam					

Variation and/or finish/color code may be required when ordering.