

### Ordering Information

Applicable product:		
8" centers lavatory	K-1723	shown
4" centers lavatory	K-1729	not shown
Single-hole lavatory	K-1721	not shown
Accessories/hardware:		
Trap	K-8998	recommended

### Product Information

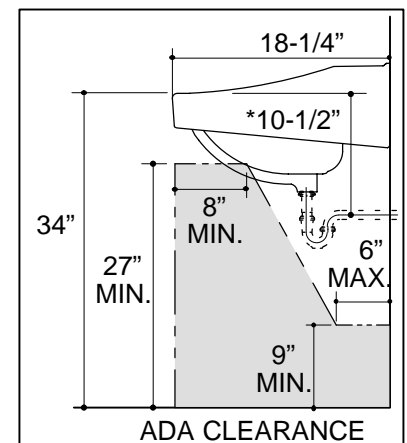
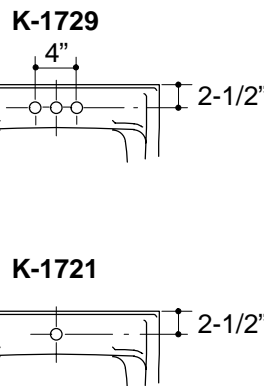
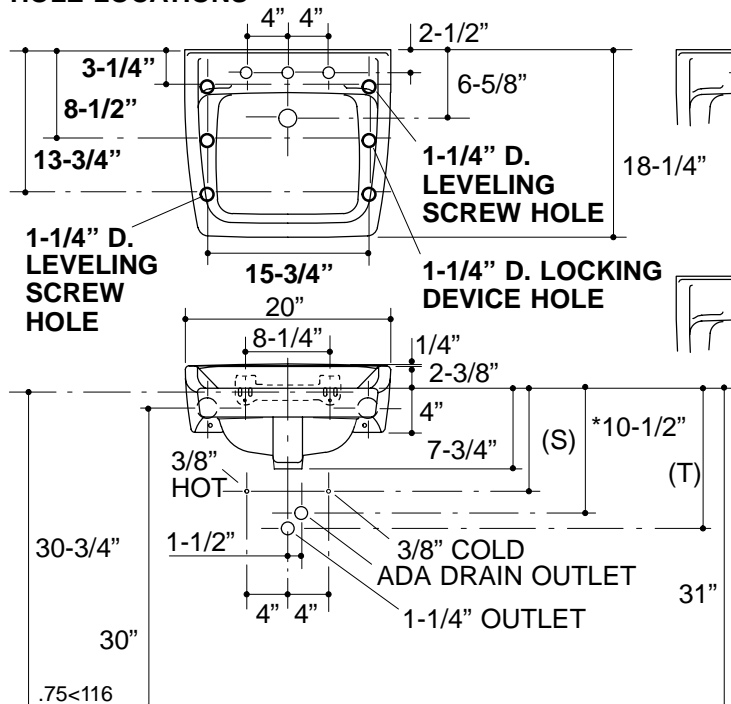
ADA compliant.			
Fixture*:		basin area	water depth
Lavatory		14" x 12"	4-7/8"
Outlet	1-3/4" D.		
* Approximate measurements for comparison only.			
Holes	<b>K-1723</b>	<b>K-1729</b>	<b>K-1721</b>
Spout	1-3/16" D.	1-3/16" D.	1-3/8" D.
Faucet	1-3/8" D.	1-3/16" D.	
Soap dispenser			1-1/4" D.

Included Components:	
Hanger	64839

### Installation Notes

Refer to installation instructions included with fixture before beginning installation.

#### CONCEALED ARM HOLE LOCATIONS K-1723



#### Roughing-In Notes

Fixture dimensions are nominal and conform to tolerances in ASME Standard A112.19.2M.

\*Based on K-8998, with 1" tailpiece exposed.

(T) Pop-up drain 13-3/8", grid drain 12-1/2".

(S) 10" (Based on 12" riser which may require cutting).

Supplied hanger not used with concealed arm carrier.