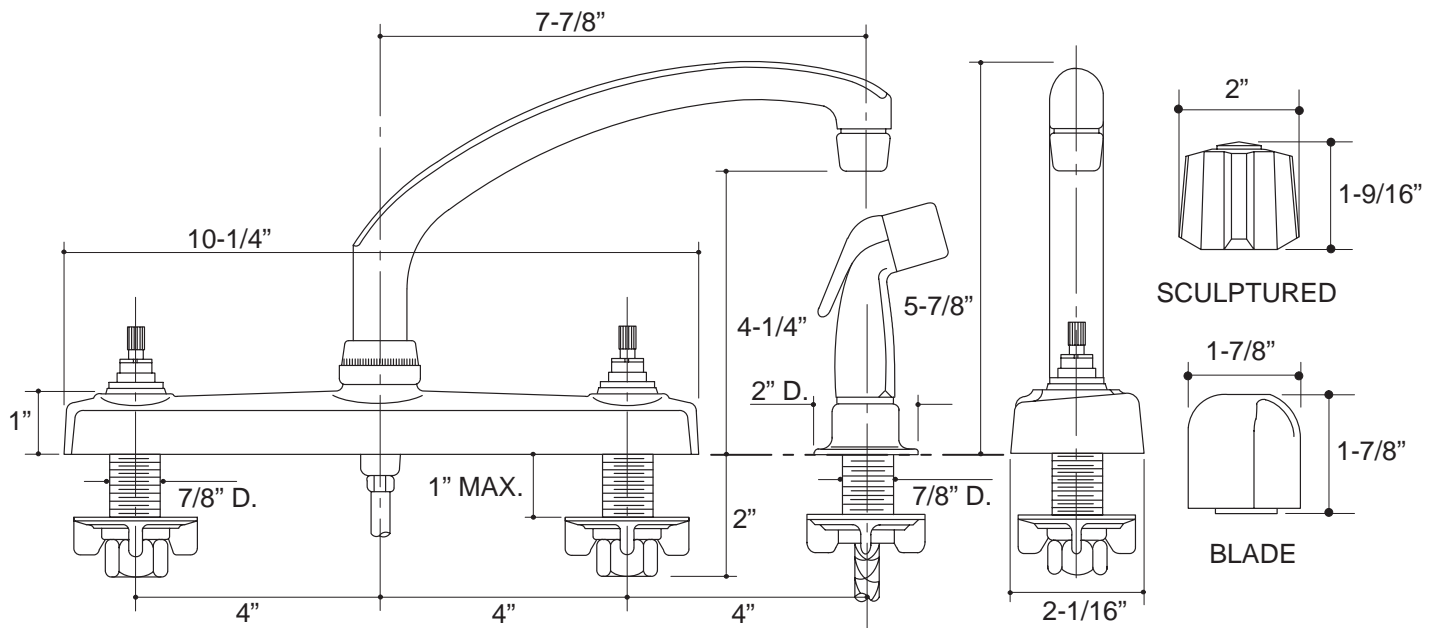


Ordering Information

Applicable faucet with spray:	
Metal handles	K-11925-U
Sculptured acrylic handles	K-11925-P
ADA Blade handle is ADA compliant	



516

K-11925 Trend[®] Kitchen Sink Faucet
112688-1-AA (A)

NOTES: