

Ordering Information

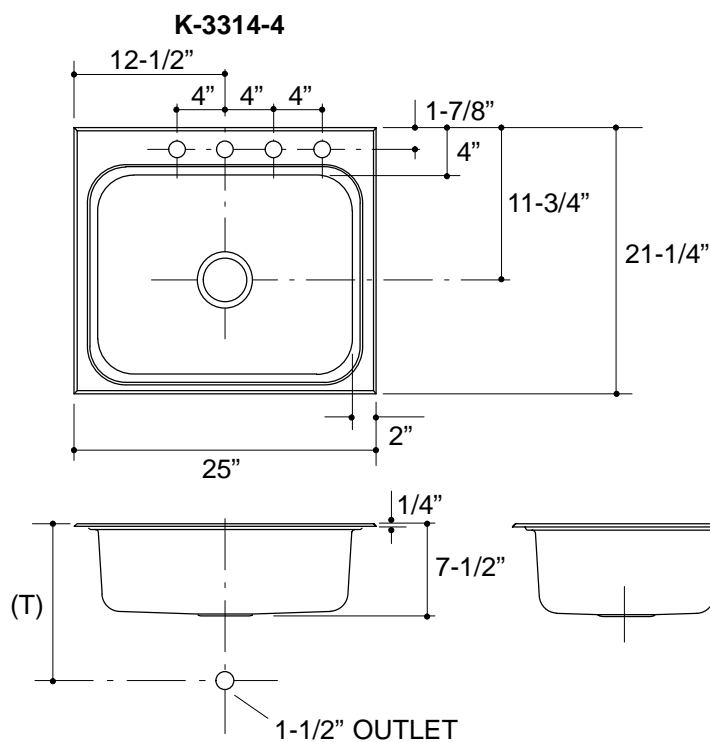
Applicable product:		
Four-hole sink	K-3314-4	shown
Three-hole sink	K-3314-3	not shown
Accessories/hardware:		
Hardwood cutting board	K-3293	optional

Product Information

Fixture*:		basin area	water depth
Sink		21" x 15"	7"
Outlet	3-5/8" D.		
Faucet holes	1-7/16" D.		
* Approximate measurements for comparison only.			
Included Components:			
Fastener pack		90208	

Installation Notes

Refer to installation instructions included with fixture before beginning installation.



116

Roughing-In Notes

Fixture dimensions are nominal and conform to tolerances in ASME/ANSI Standard A112.19.3M.

(T) Drain typically 12-13/16".

Cutout	24-1/2" x 20-3/4" with 1/2" radius corners.
--------	---