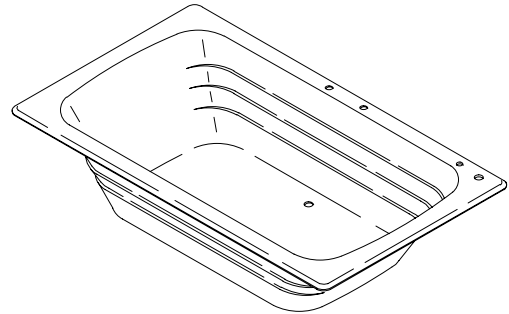


FEATURES

- 72" x 42" x 22"
- Cast iron with Safeguard® finish
- 5-hole drilling for Seawall faucet and Personal Shower System
- With design terraces



CODES/STANDARDS APPLICABLE

Specified model meets or exceeds the following:

- ASME/ANSI A112.19.1M
- IAPMO/UPC
- Canadian Standards Association (CSA)
- State of Massachusetts

COLORS/FINISHES

- 0 White
- Other Refer to Fixtures Price Book for additional colors

Accessories:

- CP Polished Chrome
- PB Polished Brass
- Other Refer to Faucets Price Book for additional finishes
- NA None Applicable

SPECIFIED MODEL:

Model	Description	Colors/Finishes	
K-868	Bath	<input type="checkbox"/> 0 White	<input type="checkbox"/> Other_____

Required Accessories			
K-7942-2	Pillows™ Seawall bath-mount faucet OR	<input type="checkbox"/> SC	<input type="checkbox"/> PB
K-7923-8	Cirrus™ Seawall bath-mount faucet OR	<input type="checkbox"/> CP	<input type="checkbox"/> PB
K-6504-2	Alterna™ Seawall bath-mount faucet OR	<input type="checkbox"/> CP	<input type="checkbox"/> PB
K-6435-4B	Neuville™ Seawall bath-mount faucet AND	<input type="checkbox"/> CP	<input type="checkbox"/> PB
K-17212	Neuville decorative inserts (required for K-6435-4B)	<input type="checkbox"/> CP	<input type="checkbox"/> PB <input type="checkbox"/> Other_____

Recommended Accessories			
K-7166-AF	Drain	<input type="checkbox"/> CP	<input type="checkbox"/> PB <input type="checkbox"/> Other_____

Optional Accessories		
K-580	Undermount installation kit (template and installation instructions)	<input type="checkbox"/> NA
K-1179	Vinyl tiling-in bead (use when wall material contacts any top surface of bath)	<input type="checkbox"/> NA

PRODUCT SPECIFICATION:

The bath shall be 72" in length, 42" in width, and 22" in height. Bath shall be made of cast iron with Safeguard® finish. Bath shall have 5-hole drilling for Seawall faucet and Personal Shower System. Bath shall have design terraces. Bath shall be Kohler Model K-868-_____.

SEAWALL

PRODUCT INFORMATION

Fixture*:	basin area	top area	weight
Bathing well	47" x 24-1/2"	65-1/4" x 35-1/4"	450 lbs.
	water depth	capacity	
To overflow	16-1/2"	110 gal.	
* Approximate measurements for comparison only.			

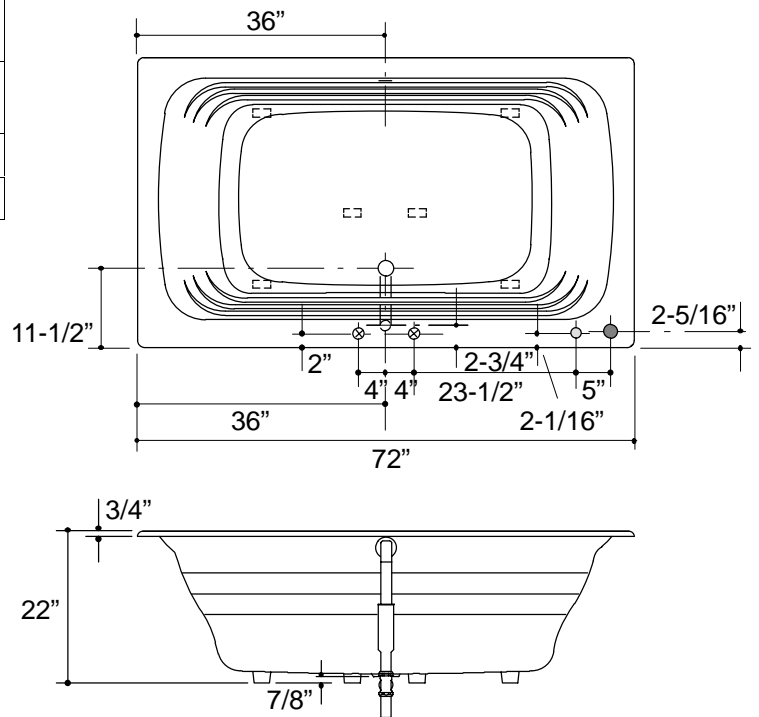
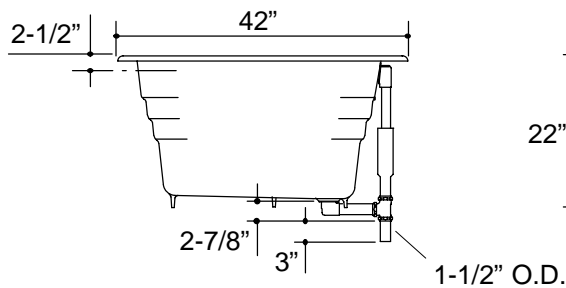
Roughing-In Notes

Deck width must be 2" min. to allow clearance for fittings. See faucet roughing-in requirements.

No change in measurements if connected with drain illustrated.

Cut-out for drop-in 70-1/2" x 40-1/2"

Cut-out for undermount K-580 template required



PRODUCT DIAGRAM