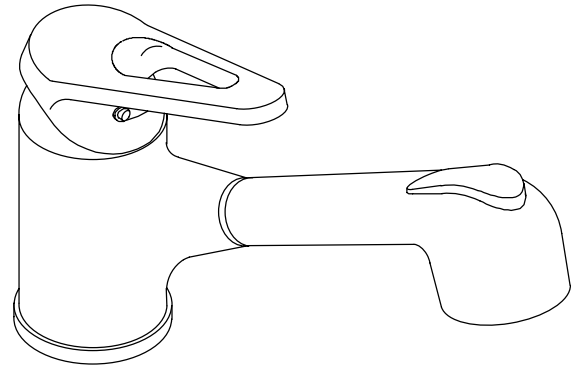


**KITCHEN SINK FAUCET
K-14502**

FEATURES

- Brass construction
- Single-hole mounting
- One-piece self-contained ceramic disc valve allows both volume and temperature control
- Temperature memory allowing faucet to be turned on and off at any temperature setting
- 8-3/4" swing spout with integral spray and retractable hose and sprayhead
- 2.2 gallons per minute
- Lever handle
- Soft-touch memory control spray selection



CODES/STANDARDS APPLICABLE

Specified model meets or exceeds the following:

- ASME/ANSI A112.18.1M
- Energy Policy Act of 1992
- IAPMO/UPC
- Listed in the State of Wisconsin
- NSF 61

COLORS/FINISHES

- CP Polished Chrome
- Other Refer to Faucets Price Book for additional finishes

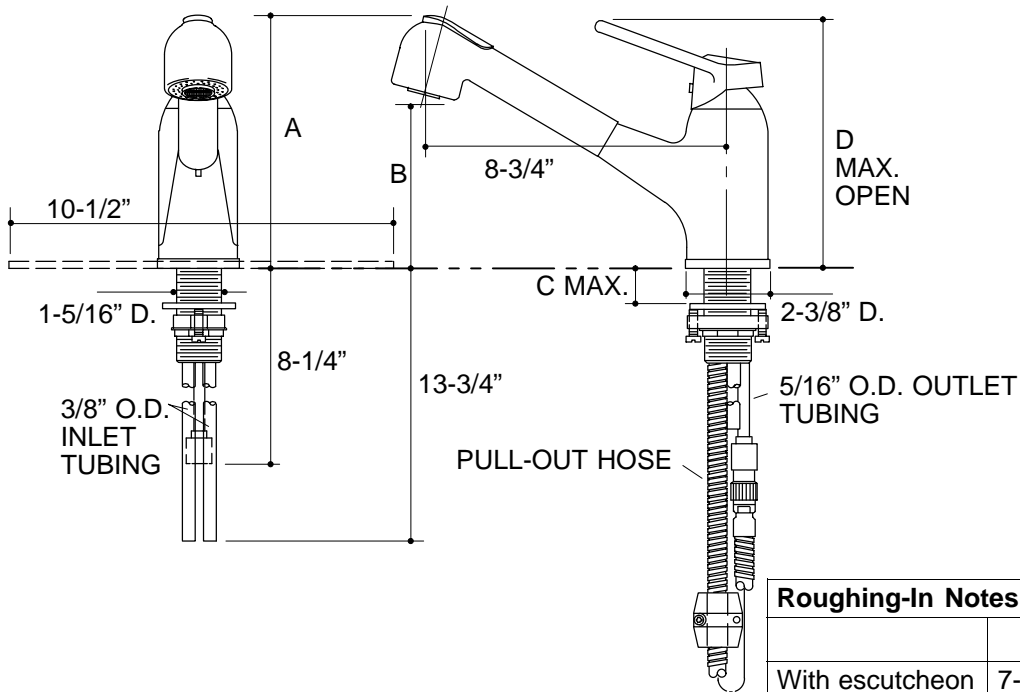
SPECIFIED MODEL:

Model	Description	<input type="checkbox"/> CP	<input type="checkbox"/> Other _____
K-14502	With Matching Color Sprayhead	<input type="checkbox"/> CP	<input type="checkbox"/> Other _____
K-14502-AP	With White Sprayhead and Polished Chrome Body	<input type="checkbox"/> CP	

Optional Accessory		<input type="checkbox"/> CP	<input type="checkbox"/> Other _____
K-14511	10-1/2" Escutcheon Plate for Three-Hole Installations	<input type="checkbox"/> CP	<input type="checkbox"/> Other _____

PRODUCT SPECIFICATION:

Single-control pull-out spray kitchen sink faucet shall be of brass construction. The valve shall be a one-piece, self-contained ceramic disc valve, and allows both volume and temperature control. The valve shall feature temperature memory, allowing the faucet to be turned on and off at any temperature setting. Product shall include single-hole mounting, 8-3/4" swing spout with integral spray and retractable hose with sprayhead, lever handle, and soft-touch memory control stream-to-spray adjustment. Faucet shall be Kohler Model K-14502-_____-_____.



Roughing-In Notes				
	A	B	C	D
With escutcheon	7-3/16"	4-15/16"	1-13/16"	8-13/16"
Without escutcheon	7"	4-3/4"	2"	8-5/8"

PRODUCT DIAGRAM