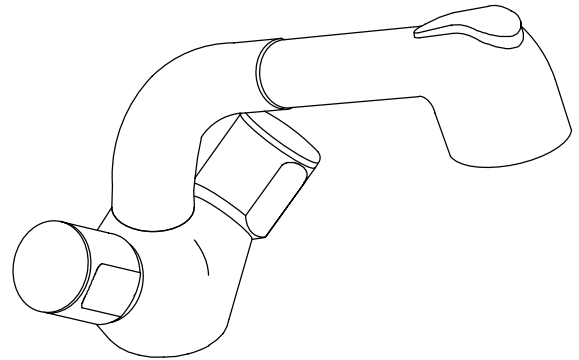


**KITCHEN SINK FAUCET
K-14505**

FEATURES

- Brass construction
- Single-hole mounting
- Brass valve bodies
- Quarter-turn washerless ceramic disc valves
- 8" swing spout with integral spray and retractable hose and sprayhead
- 2.2 gallons per minute
- Cylinder handles
- Soft-touch memory control spray selection



CODES/STANDARDS APPLICABLE

Specified model meets or exceeds the following:

- ASME/ANSI A112.18.1M
- Energy Policy Act of 1992
- IAPMO/UPC
- Listed in the State of Wisconsin

COLORS/FINISHES

- CP Polished Chrome

SPECIFIED MODEL:

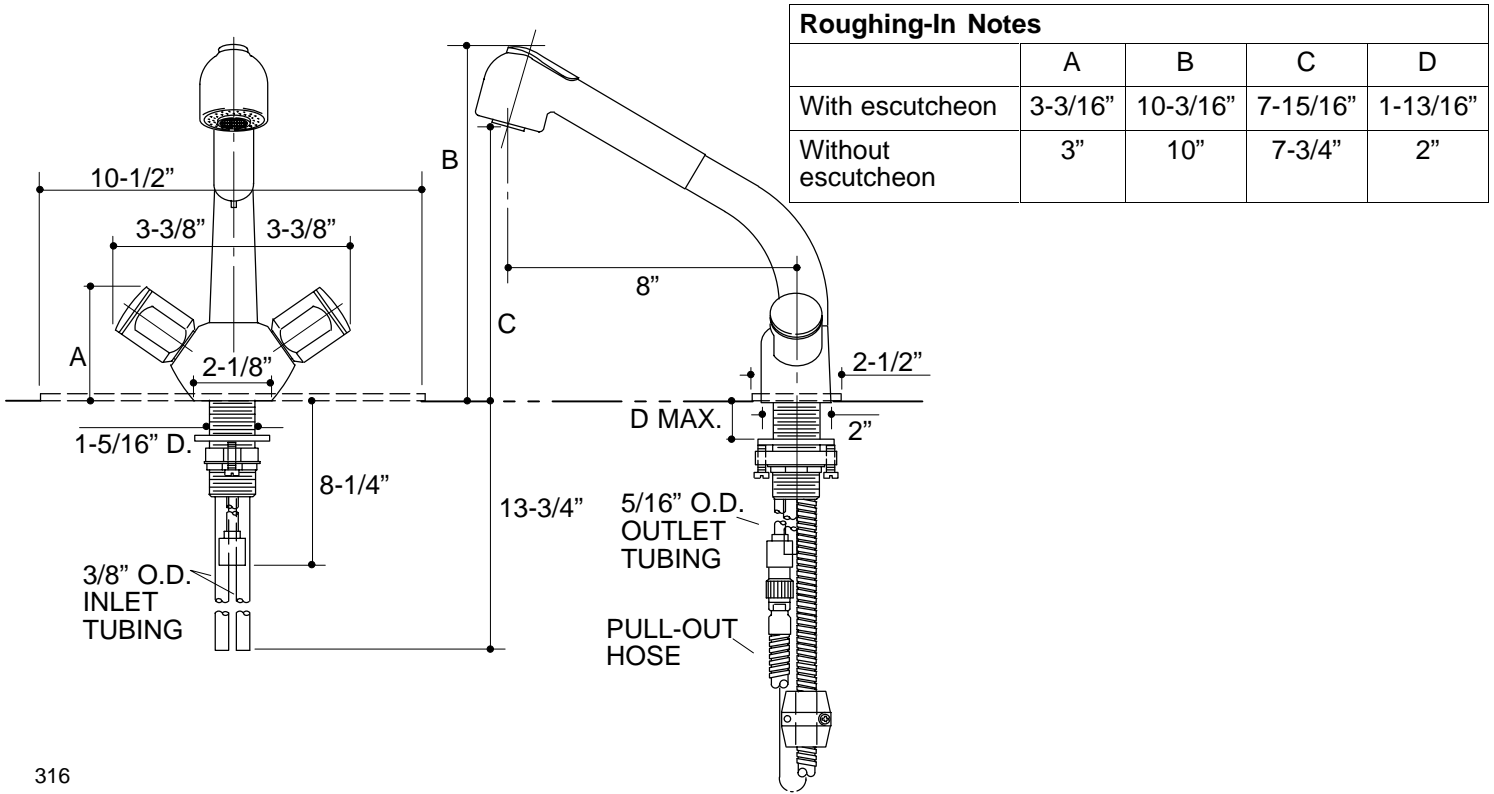
Model	Description		
K-14505	Provence Kitchen Sink Faucet	<input type="checkbox"/> CP	<input type="checkbox"/> Other_____

Optional Accessory			
K-14511	10-1/2" Escutcheon Plate for Three-Hole Installations	<input type="checkbox"/> CP	<input type="checkbox"/> Other_____

PRODUCT SPECIFICATION:

Two-handle pull-out spray kitchen sink faucet shall be of brass construction. Faucet shall feature brass valve bodies. Faucet shall feature quarter-turn washerless ceramic disc valves, assuring positive handle stop positioning. Product shall include single-hole mounting, 8" swing spout with integral spray and retractable hose with sprayhead, cylinder handles, and soft-touch memory control stream-to-spray adjustment. Faucet shall be Kohler Model K-14505-_____.

PROVENCE™



316

PRODUCT DIAGRAM