

Ordering Information

| | | |
|--|-----------|-------------|
| Applicable product with left-hand trip lever: | | |
| Toilet | K-3458 | shown |
| Tank | K-4413 | shown |
| Toilet with tank cover locks | K-3458-T | not shown |
| Toilet with bedpan lugs | K-3458-L | not shown |
| Applicable product with right-hand trip lever: | | |
| Toilet | K-3458-RA | not shown |
| Tank | K-4413-RA | not shown |
| Toilet with tank cover locks | K-3458-TR | not shown |
| Toilet with bedpan lugs | K-3458-LR | not shown |
| Accessories/hardware: | | |
| 3/8" supply | K-7637 | recommended |
| Floor bolts (pr.) | 21401 | recommended |
| Seat | K-4652 | recommended |

Product Information

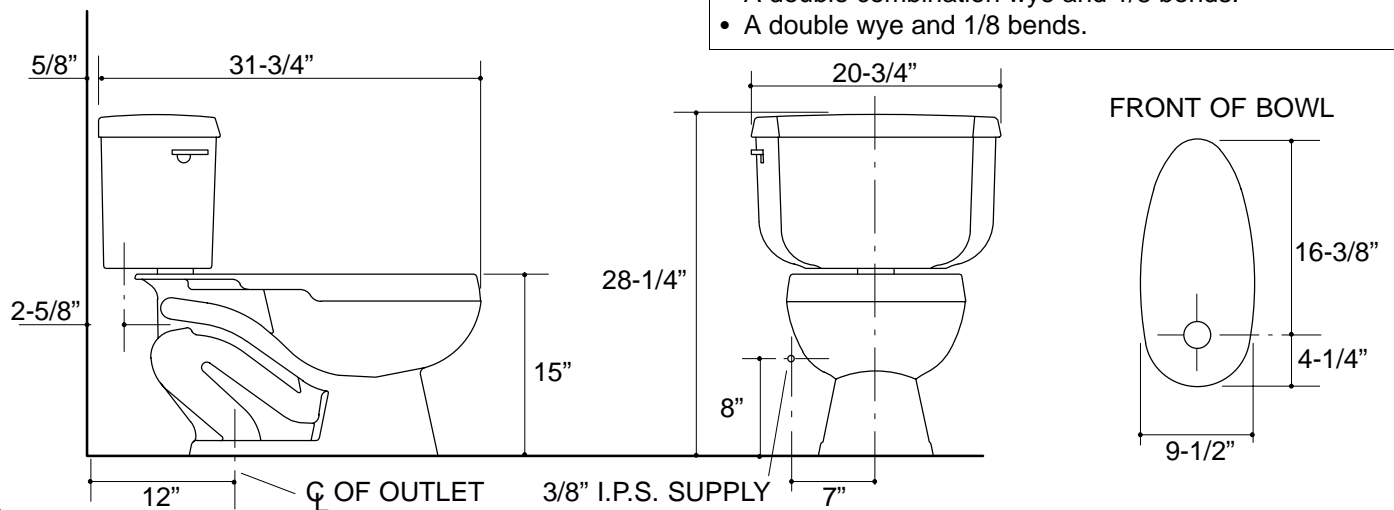
| | |
|---|--------------------|
| Fixture: | |
| Configuration | 2-piece, elongated |
| Gallons per flush | 1.6 gallons |
| Passageway | 2-1/4" |
| Water depth from rim | 6-7/8" |
| Seat post hole centers | 5-1/2" |
| Minimum static pressure required | 20 p.s.i. |
| Maximum static pressure | 80 p.s.i. |
| Included Components*: | |
| Bowl | K-4333 |
| Tank cover | 81449 |
| Bolt cap accessory pack | 52048 |
| Tank accessory pack | 73062 |
| Trip lever, left hand | K-9436-L |
| Trip lever, right hand | K-9436-R |
| *Equipped with Sloan Flushmate™ – Sloan Valve Company | |

Roughing-In Notes

Fixture dimensions are nominal and conform to tolerances in ASME Standard A112.19.2M.

For back to back installations, the toilet shall be connected to the vertical stack using one of the three following fittings:

- A double fixture fitting.
- A double combination wye and 1/8 bends.
- A double wye and 1/8 bends.



116

K-3458 Wellworth™ Toilet
113012-1-**GA** (-)

KOHLER®