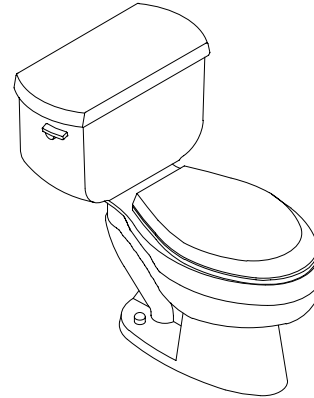


### FEATURES

- 12" rough-in
- Vitreous china
- Elongated bowl
- Equipped with Sloan Flushmate™ – Sloan Valve Company
- 1.6 gpf
- Includes polished chrome trip lever
- Combination toilet
- Less seat and supply
- With bedpan lugs (-L)
- With right-hand trip lever (-RA)
- With tank cover locks (-T)



### CODES/STANDARDS APPLICABLE

Specified model meets or exceeds the following:

- ASME/ANSI A112.19.2M
- ASME/ANSI A112.19.6M
- Energy Policy Act of 1992 (EPACT)
- IAPMO/UPC
- Canadian Standards Association (CSA)
- States of Massachusetts, New York, & Texas
- Cities of Los Angeles, CA

### COLORS/FINISHES

- 0 White
- Other Refer to Fixtures Price Book for additional colors

#### Accessories:

- 0 White
- CP Polished Chrome
- PB Polished Brass
- Other Refer to Price Book for additional colors

### SPECIFIED MODEL:

Model	Description	Colors/Finishes	
K-3458	Elongated bowl toilet (left hand trip lever)	<input type="checkbox"/> 0 White	<input type="checkbox"/> Other_____
K-3458-T	Toilet with tank cover locks (left hand trip lever)	<input type="checkbox"/> 0 White	<input type="checkbox"/> Other_____
K-4413 & K-4333-L	Toilet with bed pan lugs (left hand trip lever)	<input type="checkbox"/> 0 White	<input type="checkbox"/> Other_____
K-3458-RA	Elongated bowl toilet (right hand trip lever)	<input type="checkbox"/> 0 White	<input type="checkbox"/> Other_____
K-3458-TR	Toilet with tank cover locks (right hand trip lever)	<input type="checkbox"/> 0 White	<input type="checkbox"/> Other_____
K-4413-RA & K-4333-L	Toilet with bed pan lugs (right hand trip lever)	<input type="checkbox"/> 0 White	<input type="checkbox"/> Other_____

Recommended Accessories			
K-4652	Lustra™ seat with cover	<input type="checkbox"/> 0 White	<input type="checkbox"/> Other_____
K-4652-A	Lustra™ seat with cover (includes anti-microbial agent)	<input type="checkbox"/> 0 White	
K-7637	Angle supply with stop	<input type="checkbox"/> CP	<input type="checkbox"/> PB <input type="checkbox"/> Other_____
Optional Accessories			
K-9436-L	Trip lever, left-hand (non-CP)	<input type="checkbox"/> PB	<input type="checkbox"/> Other_____
K-9436-R	Trip lever, right-hand (non-CP)	<input type="checkbox"/> PB	

### PRODUCT SPECIFICATION:

The elongated toilet combination shall be 12" rough-in equipped with Sloan Flushmate™ – Sloan Valve Company. Toilet shall be made of vitreous china. Toilet shall be 1.6 gpf. Toilet shall include polished chrome trip lever. Toilet shall be less seat and supply. Toilet shall include bedpan lugs (-L). Toilet shall include right-hand trip lever (-RA) Toilet shall include tank cover locks (-T). Toilet shall be Kohler Model K-3458-\_\_\_\_\_ -\_\_\_\_\_.

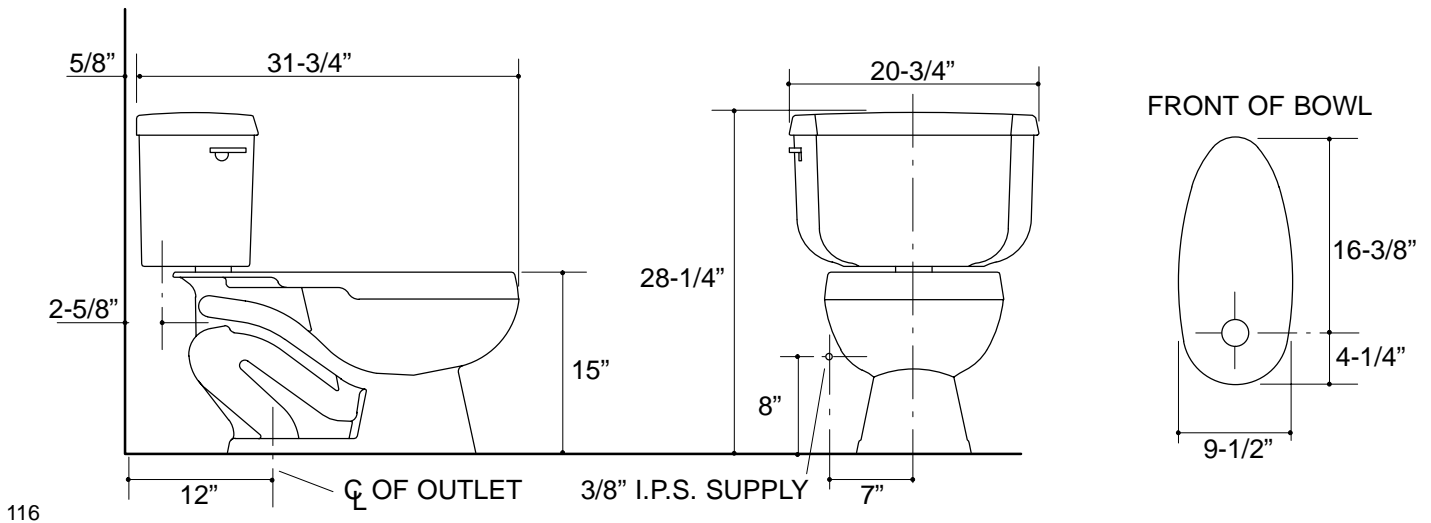
## PRODUCT INFORMATION

Fixture:	
Configuration	2-piece, elongated
Gallons per flush	1.6 gallons
Passageway	2-1/4"
Water depth from rim	6-7/8"
Seat post hole centers	5-1/2"
Minimum static pressure required	20 p.s.i.
Maximum static pressure	80 p.s.i.
Included Components*:	
Bowl	K-4333
Tank cover	81449
Bolt cap accessory pack	52048
Tank accessory pack	73062
Trip lever, left hand	K-9436-L
Trip lever, right hand	K-9436-R
*Equipped with Sloan Flushmate™ – Sloan Valve Company	

### Roughing-In Notes

For back to back installations, the toilet shall be connected to the vertical stack using one of the three following fittings:

- A double fixture fitting.
- A double combination wye and 1/8 bends.
- A double wye and 1/8 bends.



## PRODUCT DIAGRAM