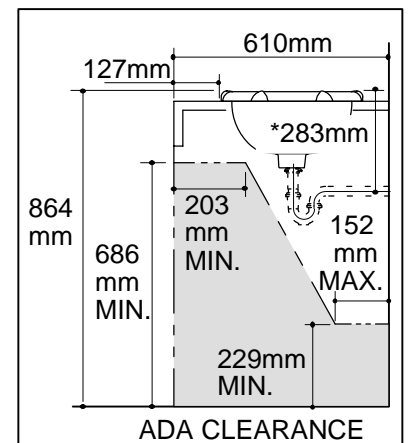
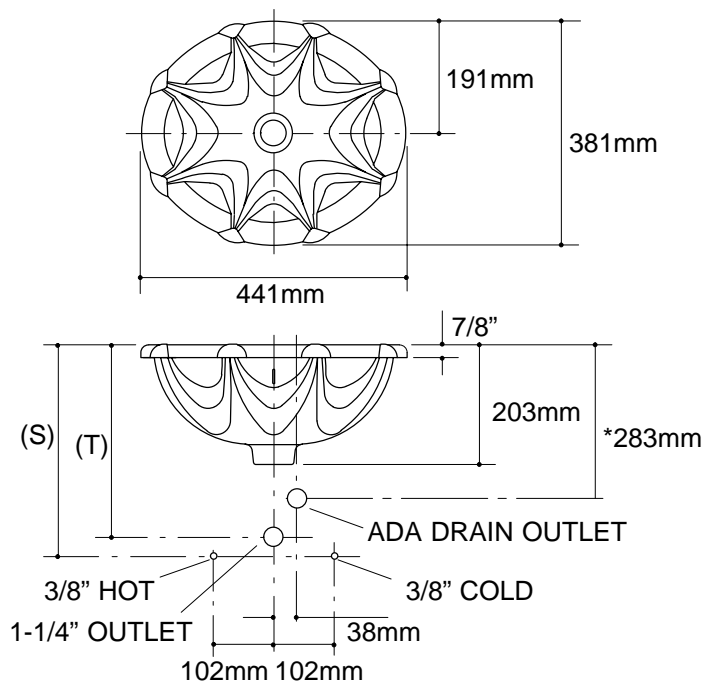


### Ordering Information

|                       |        |             |
|-----------------------|--------|-------------|
| Accessories/hardware: |        |             |
| Trap                  | K-8998 | recommended |

### Product Information

|   |       |             |             |
|---|-------|-------------|-------------|
| ADA compliant.                                  |       |             |             |
| Fixture*:                                       |       | basin area  | water depth |
| Lavatory  |       | 356 x 305mm | 156mm       |
| Outlet  | Ø44mm |             |             |
| * Approximate measurements for comparison only. |       |             |             |
| Included Components:                            |       |             |             |
| Adhesive sealant                                |       | 63034       |             |
| Adjustable linkage                              |       | 40372       |             |
| Cutout template                                 |       | 113009      |             |



### Roughing-In Notes

Fixture dimensions are nominal and conform to tolerances in ASME Standard A112.19.2M.

\*Based on K-8998 with 25mm of tailpiece exposed.

(T) Pop-up drain 346mm, grid drain 324mm.

(S) 356mm (Based on 305mm riser which may require cutting).

117mm minimum faucet spout length needed to reach over rim into basin.

1.25>116

**K-2184** Chenille™ Lavatory  
113015-1M-AA (9631)

**KOHLER<sup>®</sup>**