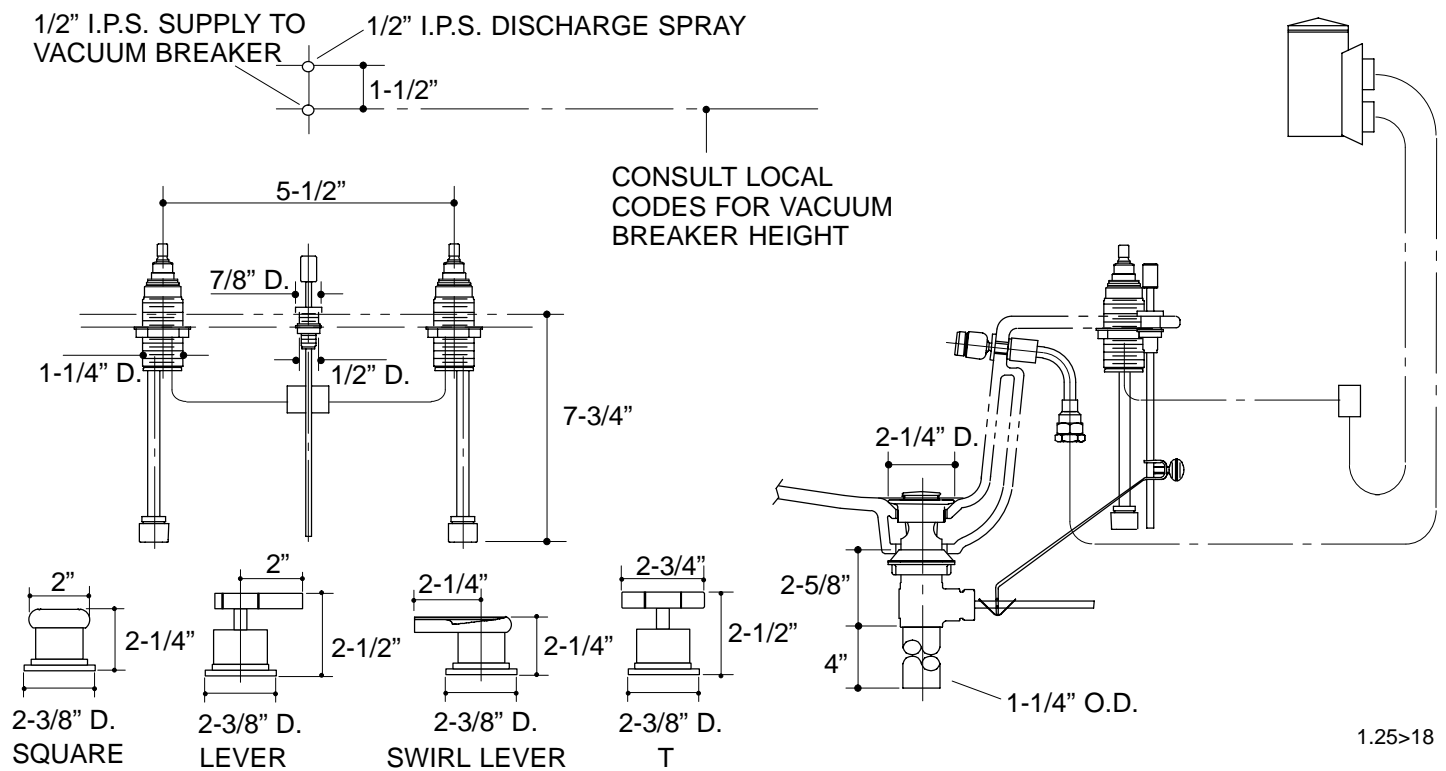


### Ordering Information

Applicable faucet:	
With square handles	K-8244-2
With lever handles	K-8244-4
With swirl lever handles	K-8244-4A
With T-handles	K-8244-6
<b>ADA</b> Lever handles are ADA compliant	



**K-8244** Taboret Bidet Faucet  
113035-1-AA (9619)

**KOHLER<sup>®</sup>**

**NOTES:**