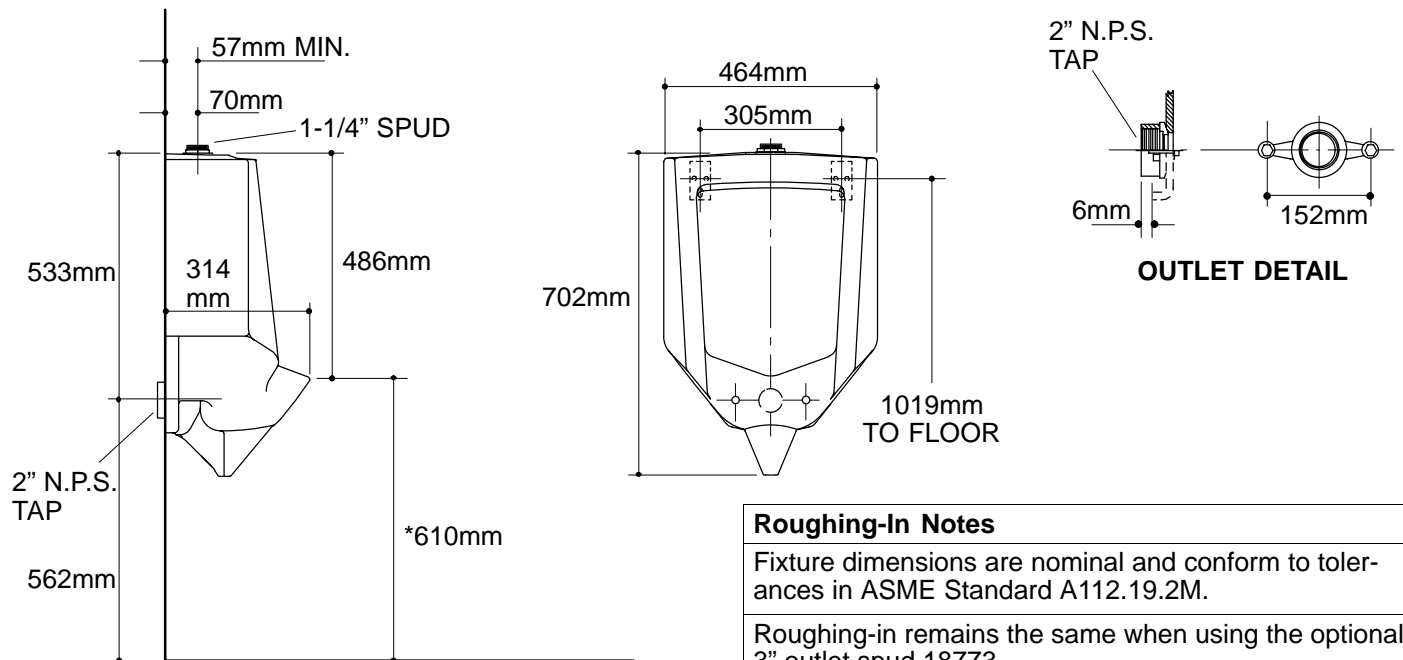


Ordering Information

Accessories/hardware:		
Strainer	18752	optional
1-1/4" replacement spud	18763	optional
3" outlet spud	18773	optional

Product Information

ADA compliant.	
Fixture:	
Configuration	Top spud
Litres per flush	3.785 litres*
Spud inlet size	1-1/4"
Minimum running pressure required	25 p.s.i.
* Designed to flush with 3.785 litres of water when installed with a water saving flush valve.	
Included Components:	
1-1/4" inlet spud	18759
2" outlet spud	18766
Hanger (2 required)	64512
5/8" drain plug	21403
Flush valve requirements: Refer to manufacturer's instructions and local codes.	



Roughing-In Notes

Fixture dimensions are nominal and conform to tolerances in ASME Standard A112.19.2M.

Roughing-in remains the same when using the optional 3" outlet spud 18773.

*Urinal complies with ADA requirement when rim is mounted no higher than 432mm from finished floor.