

Ordering Information

Applicable receptor		
32" x 31-3/4"	K-9531	shown
36" x 35-5/8"	K-9532	shown
Accessories/hardware:		
Drain	K-9132	recommended
Glassworks pivot shower door (for K-9531)	K-9881	optional
Glassworks pivot shower door (for K-9531)	K-9886	optional
Glassworks pivot shower door (for K-9532)	K-9883	optional
Profile pivot shower door (for K-9532)	K-9856	optional
Forum bypass shower door (for K-9532)	K-703028	optional

Product Information

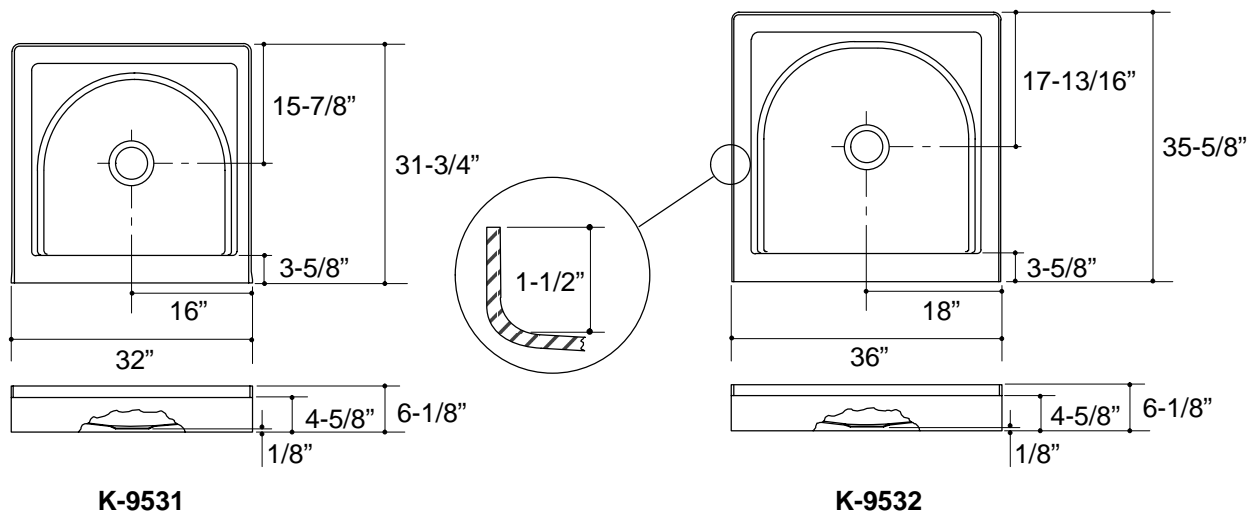
Fixture:	
Weight, K-9531	33 lbs.
Weight, K-9532	47 lbs.
Configuration	1-piece
Drain Outlet	3-3/8" D.

Installation Notes

Refer to installation instructions included with fixture before beginning installation.

Roughing-In Notes

Fixture conforms to ANSI Standard Z124.2. All dimensions are nominal.



1.25>132