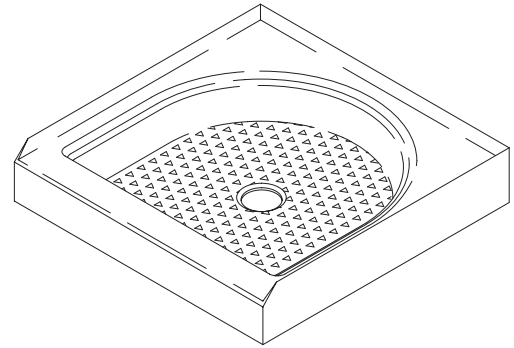


SHOWER RECEPTOR

K-9531, K-9532

FEATURES

- 32" x 31-3/4" (K-9531)
- 36" x 35-5/8" (K-9532)
- Acrylic
- Terraced side walls
- Molded-in floor pattern



CODES/STANDARDS APPLICABLE

Specified model meets or exceeds the following:

- ANSI Z124.2
- IAPMO/UPC (K-9532 only)
- State of Massachusetts (K-9532 only)

COLORS/FINISHES

- 0 White
- Other Refer to Fixtures Price Book for additional colors

Accessories:

- CP Polished Chrome
- PB Polished Brass
- SV Nevada Silver™
- BR New England Brass™
- SH Bright Silver
- BH Bright Brass
- Other Refer to Faucets Price Book for additional finishes

SPECIFIED MODEL:

Model	Description	Colors/Finishes	
K-9531	32" x 31-3/4" receptor	<input type="checkbox"/> 0 White	<input type="checkbox"/> Other_____
K-9532	36" x 35-5/8" receptor	<input type="checkbox"/> 0 White	<input type="checkbox"/> Other_____

Recommended Accessories			
K-9132	Drain	<input type="checkbox"/> CP	<input type="checkbox"/> PB <input type="checkbox"/> Other_____
Optional Accessories			
K-9881	Glassworks™ pivot shower door (for K-9531)* OR	<input type="checkbox"/> SV	<input type="checkbox"/> BR
K-9886	Glassworks pivot shower door (for K-9531)*	<input type="checkbox"/> SV	<input type="checkbox"/> BR
K-9883	Glassworks™ pivot shower door (for K-9532)* OR	<input type="checkbox"/> SV	<input type="checkbox"/> BR
K-9856	Profile pivot shower door (for K-9532)* OR	<input type="checkbox"/> SV	<input type="checkbox"/> BR
K-703028	Forum™ bypass shower door (for K-9532)*	<input type="checkbox"/> SH	<input type="checkbox"/> BH <input type="checkbox"/> 0 White

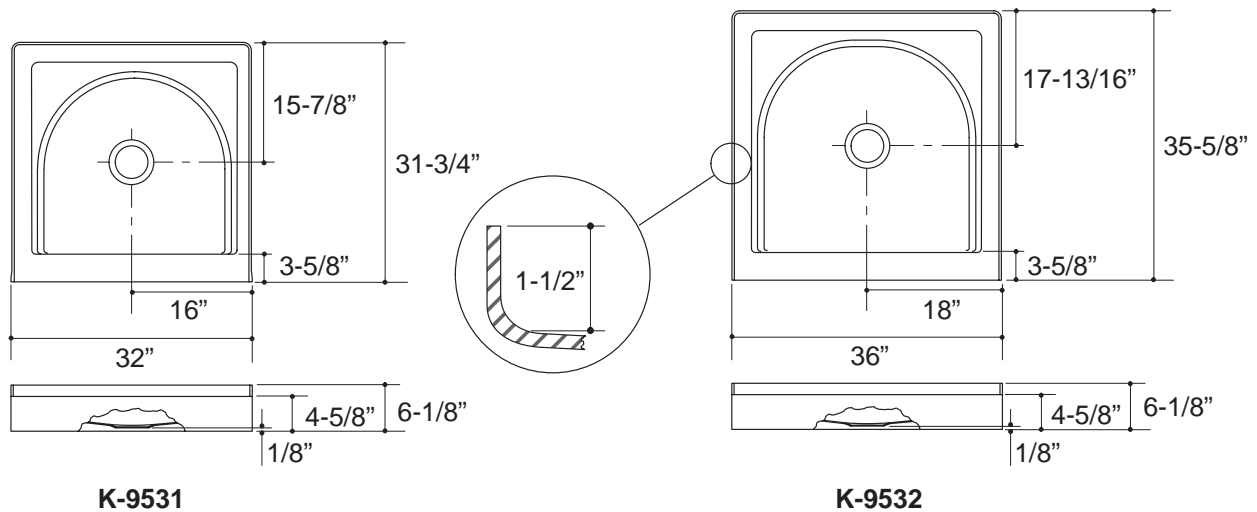
* Refer to Fixtures Price Book for glass options.

PRODUCT SPECIFICATION:

The shower receptor shall be 32" in length and 31-3/4" in width (K-9531) or 36" in length and 35-5/8" in width (K-9532). Shower receptor shall be made of acrylic. Shower receptor shall have terraced side walls. Shower receptor shall have molded-in floor pattern. Shower receptor shall be Kohler Model K-_____ - _____.

PRODUCT INFORMATION

Fixture:	
Weight, K-9531	33 lbs.
Weight, K-9532	47 lbs.
Configuration	1-piece
Drain Outlet	3-3/8" D.



1.25>132

PRODUCT DIAGRAM