

KITCHEN SINK FAUCET

K-171

ALSO K-168, K-169, K-170

ADA

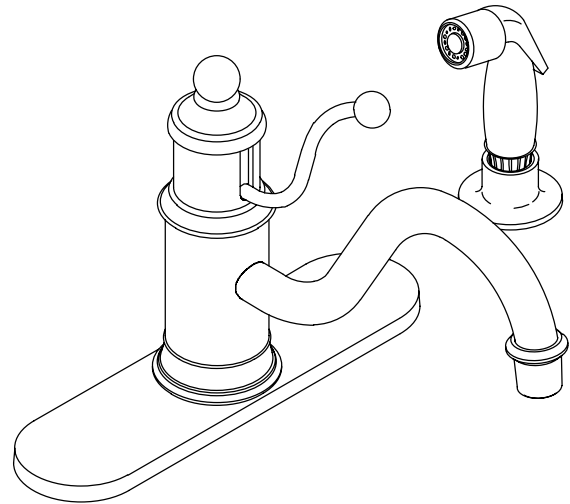
FEATURES

- Brass construction
- Single-hole mounting
- One-piece self-contained ceramic disc valve allows both volume and temperature control
- Temperature memory allowing faucet to be turned on and off at any temperature setting
- 8-7/8" swing spout
- 2.2 gallons per minute
- Lever handle
- Available with or without 10" escutcheon plate
- Available with or without white handspray

CODES/STANDARDS APPLICABLE

Specified model meets or exceeds the following:

- ASME/ANSI A112.18.1M
- ASSE 1014
- Energy Policy Act of 1992
- IAPMO/UPC
- NSF 61

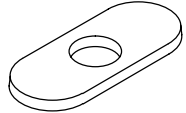


COLORS/FINISHES

- CP Polished Chrome
- PB Polished Brass

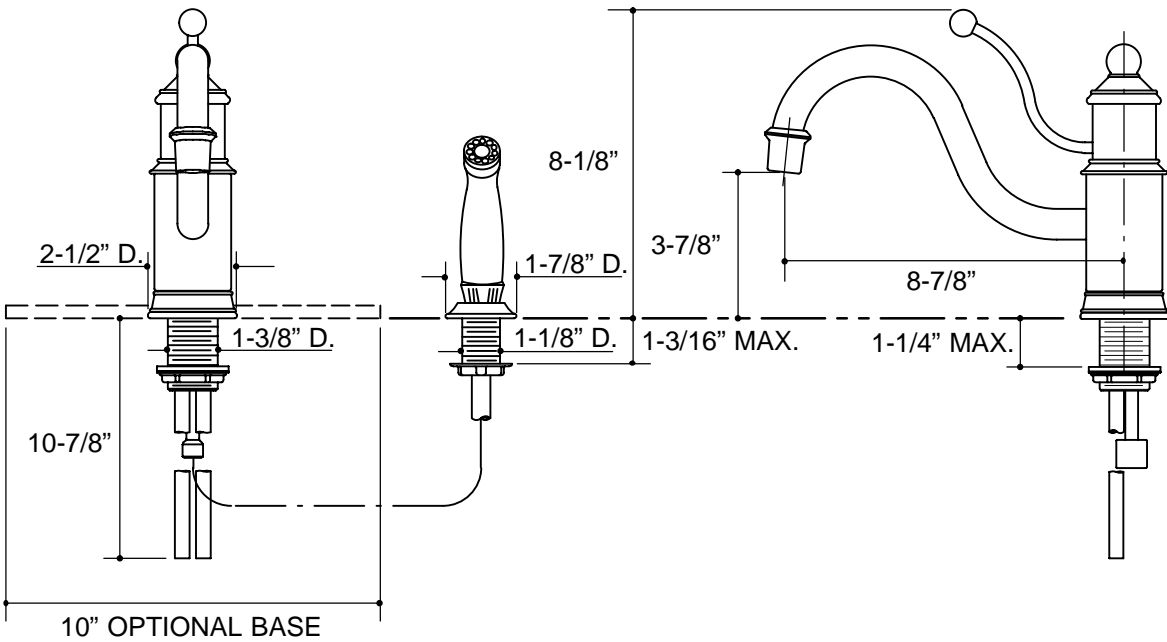
SPECIFIED MODEL:

Model	Description		
K-168	Less Escutcheon Plate; Less Handspray	<input type="checkbox"/> CP	<input type="checkbox"/> PB
K-169	Less Escutcheon Plate; With Handspray	<input type="checkbox"/> CP	<input type="checkbox"/> PB
K-170	With Escutcheon Plate; Less Handspray	<input type="checkbox"/> CP	<input type="checkbox"/> PB
K-171	With Escutcheon Plate; With Handspray	<input type="checkbox"/> CP	<input type="checkbox"/> PB

Optional Accessory			
			
K-166	10" Escutcheon Plate	<input type="checkbox"/> CP	<input type="checkbox"/> PB

PRODUCT SPECIFICATION:

Single-control kitchen sink faucet shall be of brass construction. The valve shall be a one-piece, self-contained ceramic disc valve, and allows both volume and temperature control. The valve shall feature temperature memory, allowing the faucet to be turned on and off at any temperature setting. Product shall include single-hole mounting, 8-7/8" swing spout, and lever handle. Optional features shall be with or without 10" escutcheon plate and white handspray. Faucet shall be Kohler Model K-_____ -_____.



14>.65

PRODUCT DIAGRAM