

For:ko41275

Printed on:Mon, Jun 28, 1999 11:19:35

Document:113352_1_ea__

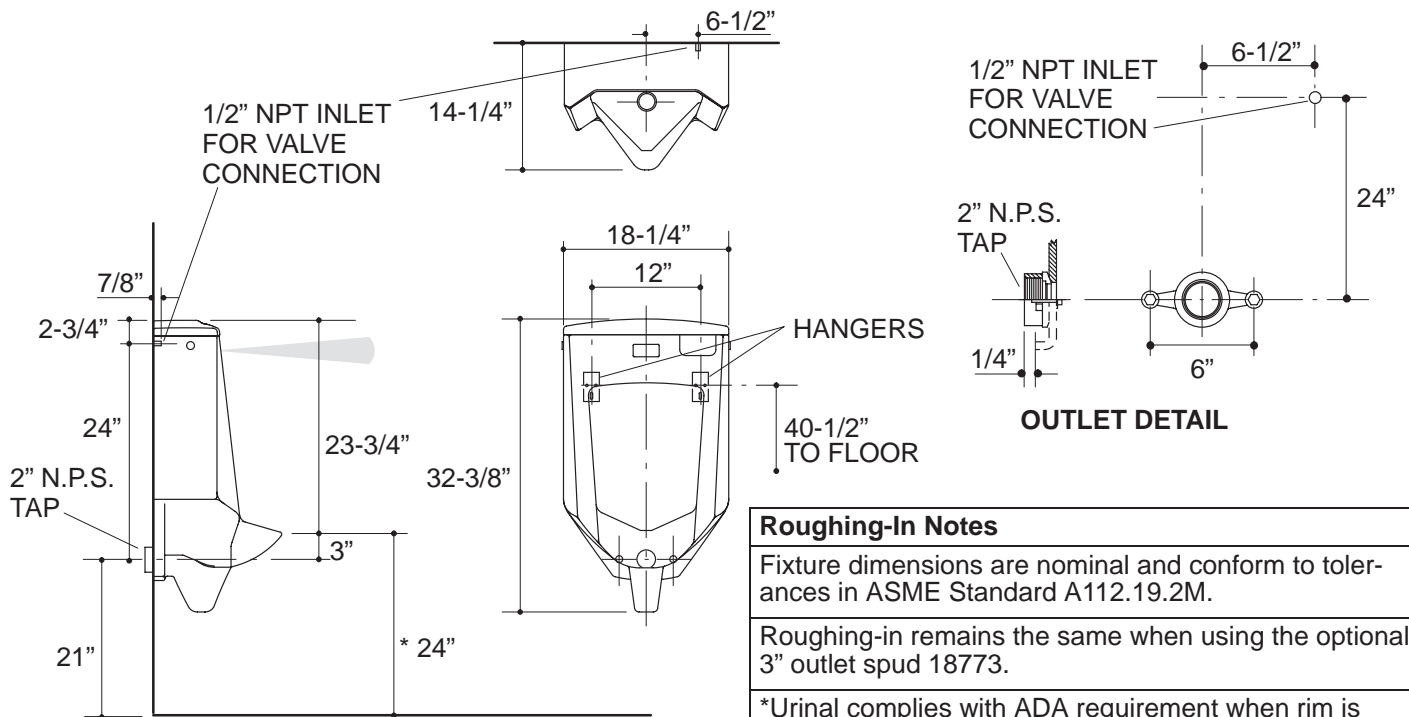
Last saved on:Mon, Jun 28, 1999 10:41:47

Ordering Information

Accessories/hardware:		
3" outlet spud	18773	optional

Product Information

ADA compliant.	
Fixture:	
Configuration	Rear spud
Gallons per flush	1/2 gallon
Inlet size	1/2" N.P.T.
Included Components:	
Stop Valve Assembly	74105
2" outlet spud	18766
Strainer	85062
Hanger (2 required)	64512
Flush valve	74110
Tank cover locks (pr.)	82372
4 alkaline "C" cell batteries	



.75<116

Roughing-In Notes

Fixture dimensions are nominal and conform to tolerances in ASME Standard A112.19.2M.

Roughing-in remains the same when using the optional 3" outlet spud 18773.

*Urinal complies with ADA requirement when rim is mounted no higher than 17" from finished floor.