

Ordering Information

Accessories/hardware:		
Hardwood cutting board	K-3195	optional
Duostrainer® sink strainer	K-8801	optional
Stainless steel sink strainer	K-8813	optional
Stainless steel sink strainer	K-8814	optional

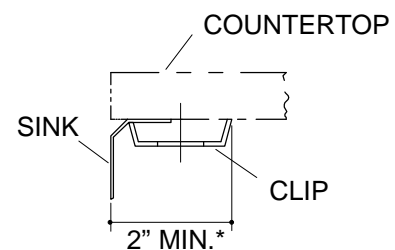
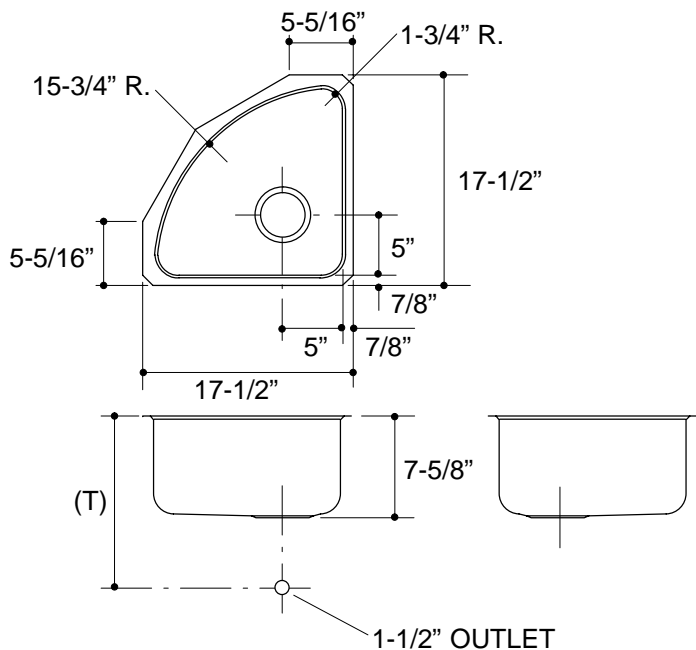
Product Information

Fixture*:		basin area	water depth
Sink		16" x 16"	7-7/16"
Outlet	3-5/8" D.		
* Approximate measurements for comparison only.			

Included Components:	
Hardware kit	91915
Cutout template	113393

Installation Notes

Refer to installation instructions included with fixture before beginning installation.



Roughing-In Notes
Fixture dimensions are nominal and conform to tolerances in ASME/ANSI Standard A112.19.3M.
(T) Drain typically 13\".
*Allow clearance around sink rim for clip attachment.