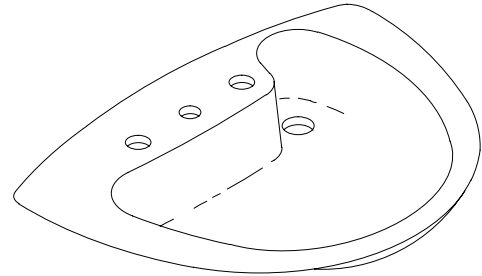


FEATURES

- 26-1/4" x 20-1/8" with 3" overhang
- Vitreous china
- Self-rimming
- 4" centers (K-2098-4), 8" centers (K-2098-8) or single-hole (K-2098-1) drilling
- With overflow
- ADA compliant
- With sealant



CODES/STANDARDS APPLICABLE

Specified model meets or exceeds the following:

- ADA
- ASME/ANSI A112.19.2M
- CABO/ANSI A117.1
- IAPMO/UPC
- Canadian Standards Association (CSA)
- State of Massachusetts

COLORS/FINISHES

- 0 White
- Other Refer to Fixtures Price Book for additional colors

Accessories:

- A-NA White
- B-NA Cocoa

SPECIFIED MODEL:

Model	Description	Colors/Finishes	
		<input type="checkbox"/> 0 White	<input type="checkbox"/> Other_____
K-2098-4	4" centers lavatory	<input type="checkbox"/> 0 White	<input type="checkbox"/> Other_____
K-2098-8	8" centers lavatory	<input type="checkbox"/> 0 White	<input type="checkbox"/> Other_____
K-2098-1	Single-hole lavatory	<input type="checkbox"/> 0 White	<input type="checkbox"/> Other_____

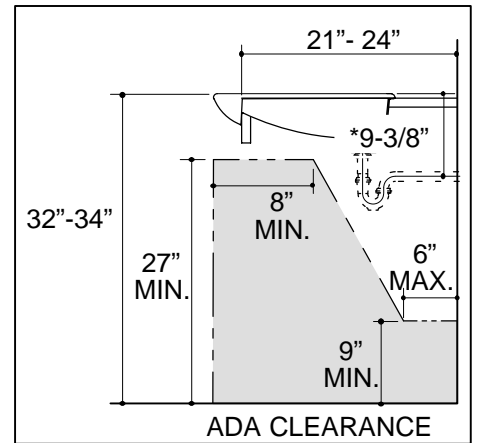
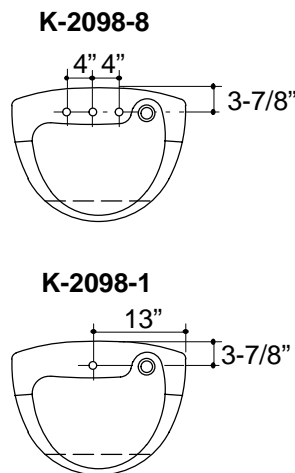
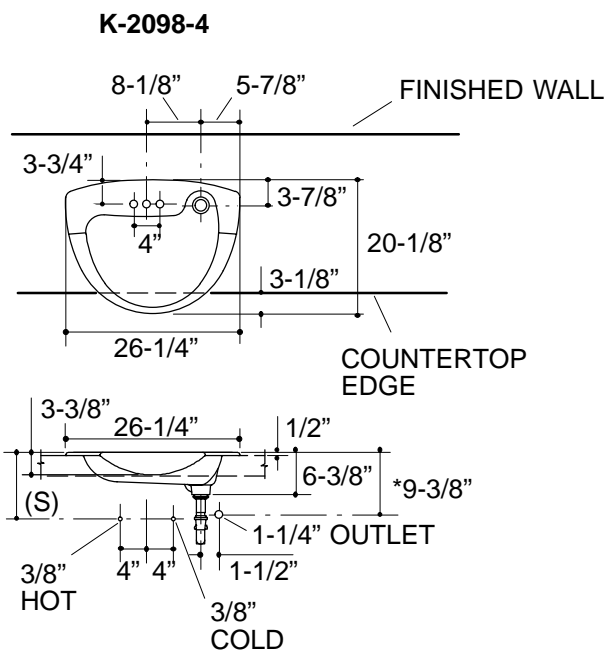
Optional Accessories			
K-6543	Removable shroud	<input type="checkbox"/> A-NA	<input type="checkbox"/> B-NA

PRODUCT SPECIFICATION:

The self-rimming lavatory shall be 26-1/4" in length, and 20-1/8" in width, with 3" overhang at front of counter. Lavatory shall be made of vitreous china. Lavatory shall have 4" centers (K-2098-4), 8" centers (K-2098-8), or single-hole (K-2098-1) drilling. Lavatory shall have overflow. Lavatory shall be ADA compliant. Lavatory shall include sealant. Lavatory shall be Kohler Model K-2098-_____-_____.

PRODUCT INFORMATION

ADA compliant.			
Fixture*:		basin area	water depth
Lavatory		20" x 13"	3-1/4"
Outlet	1-3/4" D.		
* Approximate measurements for comparison only.			
Holes	K-2098-4	K-2098-8	K-2098-1
Spout	1-3/16" D.	1-3/16" D.	1-3/8" D.
Faucet	1-3/16" D.	1-3/8" D.	
Included Components:			
Adhesive sealant			63034
Cutout template			113500



Roughing-In Notes

*Based on K-8998 with 1" of tailpiece exposed.

Supply (Based on 12" riser which may require cutting).	K-2098-4, K-2098-1	K-2098-8
(S)	10"	14"

.65<116

PRODUCT DIAGRAM