

Ordering Information

Accessories/hardware:		
Drain	K-9132	recommended
Glassworks shower door	K-9723	recommended
Glassworks steam door	K-9724	optional
Steam generator	K-1559-BA	optional

Product Information

Fixture:	
Weight	156 lbs.
Configuration	3-piece
Drain Outlet	3-3/8" D.

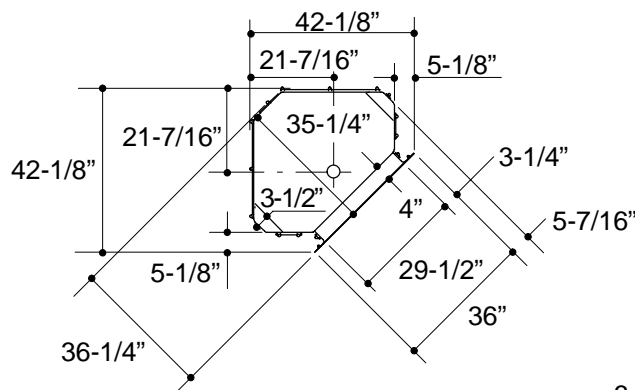
Installation Notes

Refer to installation instructions included with fixture before beginning installation.

Fixture not drilled for supply fittings.

Shimming may be required to level fixture.

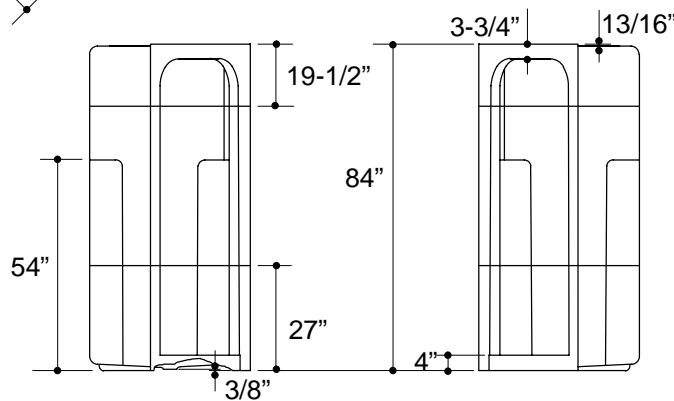
Mastershower K-74 and K-75 not recommended.



Roughing-In Notes

Fixture conforms to ANSI Standard Z124.2. All dimensions are nominal.

Stud opening tolerance (+ 1/4" - 0"). When fire rated wall is specified, dimensions are to the inside of the wall board. Some shimming between stud frame and fixture may be required.



.65<132