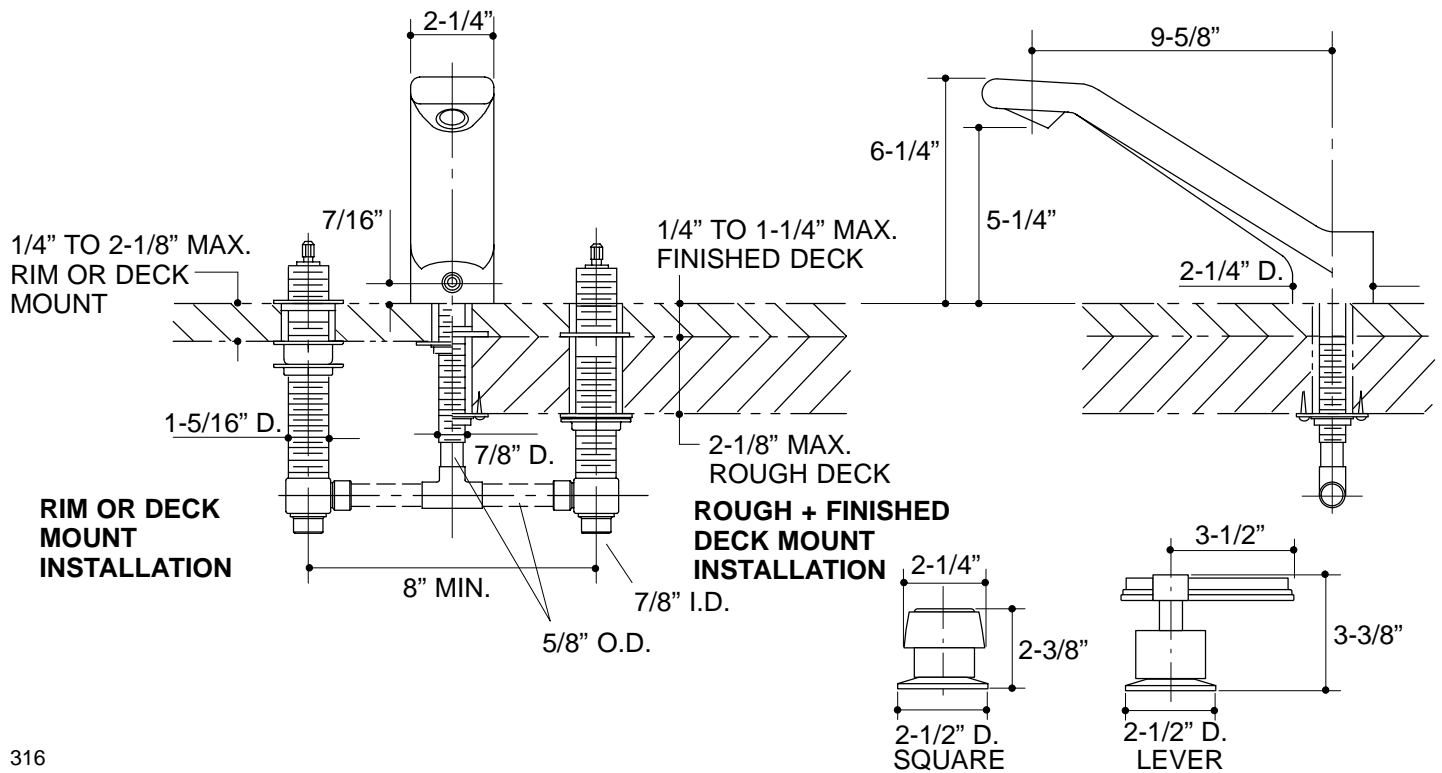


Ordering Information

Applicable faucet trim:		
Square handles with spout*	K-T6501-2	
Lever handles with spout*	K-T6501-4	
*3/4" valve system must be ordered to complete faucet		
Applicable valve:		
3/4" valve system	K-301-K-NA	required**
** Required for configuration illustrated.		
ADA Lever handles are ADA compliant		



316

K-T6501, K-301-K Alterna™ Bath Faucet
113576-1-AA (9619)

KOHLER®

NOTES: