

BATH FAUCET TRIM
K-T6501
ALSO K-301-K

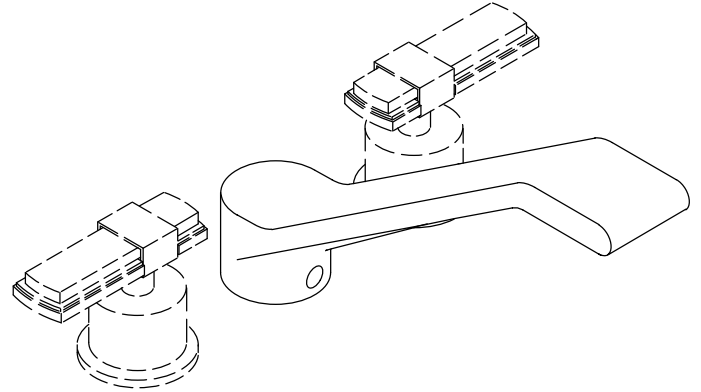
FEATURES

- Brass construction
- Deck-mount
- 9-5/8" bullnose non-diverter spout with slip-fit connection
- Available with square or lever handles

CODES/STANDARDS APPLICABLE

Specified model meets or exceeds the following:

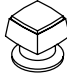
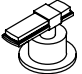
- ASME/ANSI A112.18.1M
- CSA B125
- IAPMO/UPC

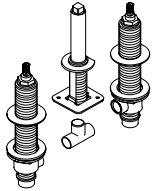


COLORS/FINISHES

- CP Polished Chrome
- PB Polished Brass
- Other Refer to Faucets Price Book for additional finishes

SPECIFIED MODEL: For complete faucet, both faucet trim and valve system must be specified.





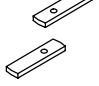
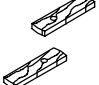
Model	Description			ADA
K-T6501-2	With Square Handles	<input type="checkbox"/> CP <input type="checkbox"/> PB <input type="checkbox"/> Other_____		
K-T6501-4	With Lever Handles		<input type="checkbox"/> CP <input type="checkbox"/> PB <input type="checkbox"/> Other_____	

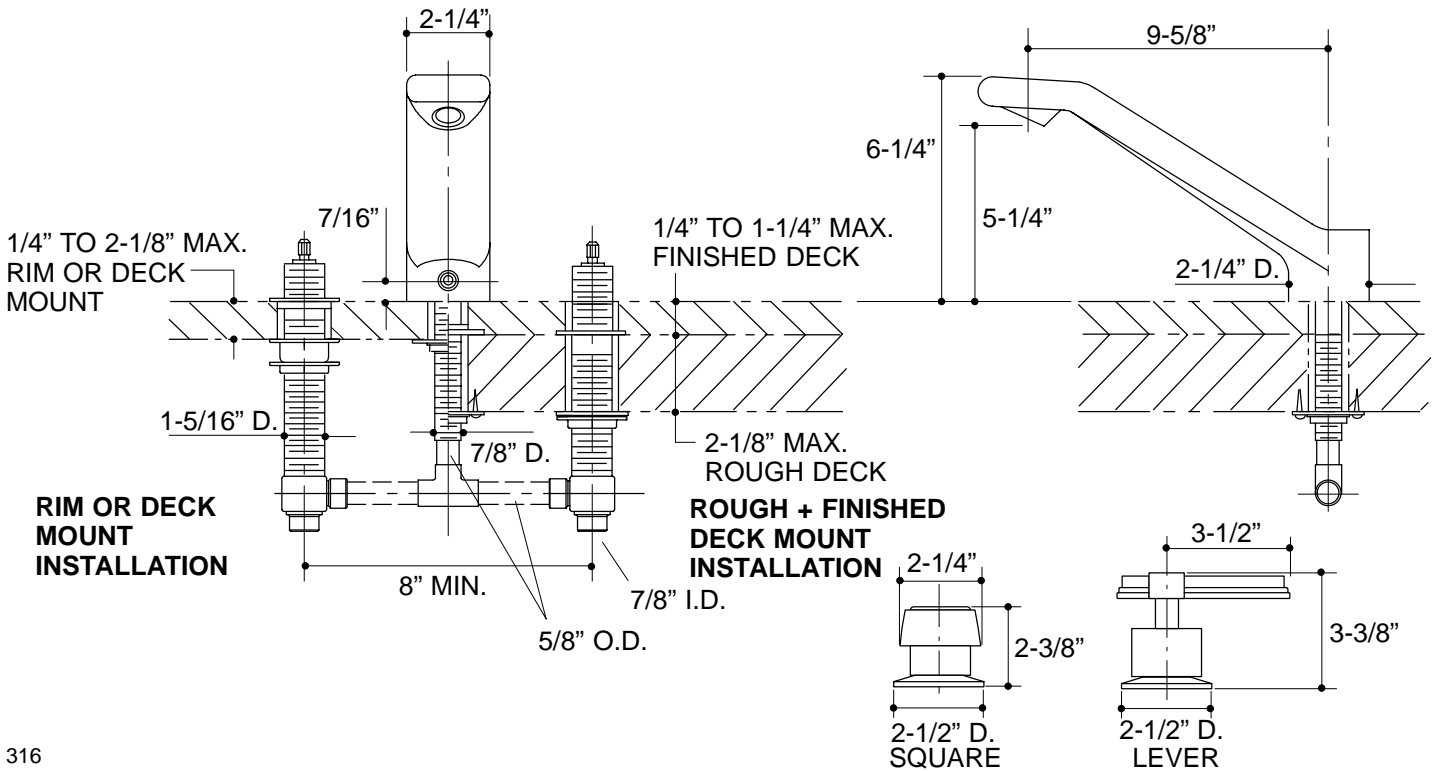
Required Accessory		
K-301-K	3/4" High-Flow Ceramic Disc Valve System	<input type="checkbox"/> NA

Optional Accessories on Page 2.

PRODUCT SPECIFICATION:
Two-handle deck-mount high-flow bath faucet trim shall be of brass construction. Faucet shall include 9-5/8" bullnose non-diverter spout with slip-fit connection, and square or lever handles. Faucet trim shall be Kohler Model K-T6501-_____-_____ and valve system shall be Kohler Model K-301-K-NA.

Optional Accessories

	K-9917	Large Handle Stone Inset, Single			<input type="checkbox"/> Other_____
	K-9923	Large Handle Metal Inset, Single	<input type="checkbox"/> CP	<input type="checkbox"/> PB	<input type="checkbox"/> Other_____
	K-9926	Large Handle Ceramic Inset, Single			<input type="checkbox"/> Other_____
	K-9932	Large Handle Champleve Inset, Single			<input type="checkbox"/> Other_____
	K-9970	Large Lever Metal Insets, Pair	<input type="checkbox"/> CP	<input type="checkbox"/> PB	<input type="checkbox"/> Other_____
	K-9984	Large Lever Stone Insets, Pair			<input type="checkbox"/> Other_____



316

PRODUCT DIAGRAM