

Ordering Information

Applicable product:		
Lavatory	K-2246-1	shown
Accessories/hardware:		
Trocadero faucet	K-15000	recommended
Trap	K-8998	recommended

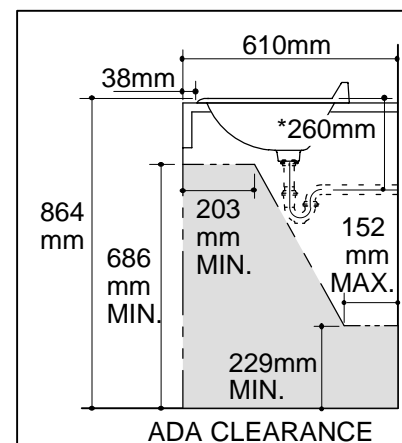
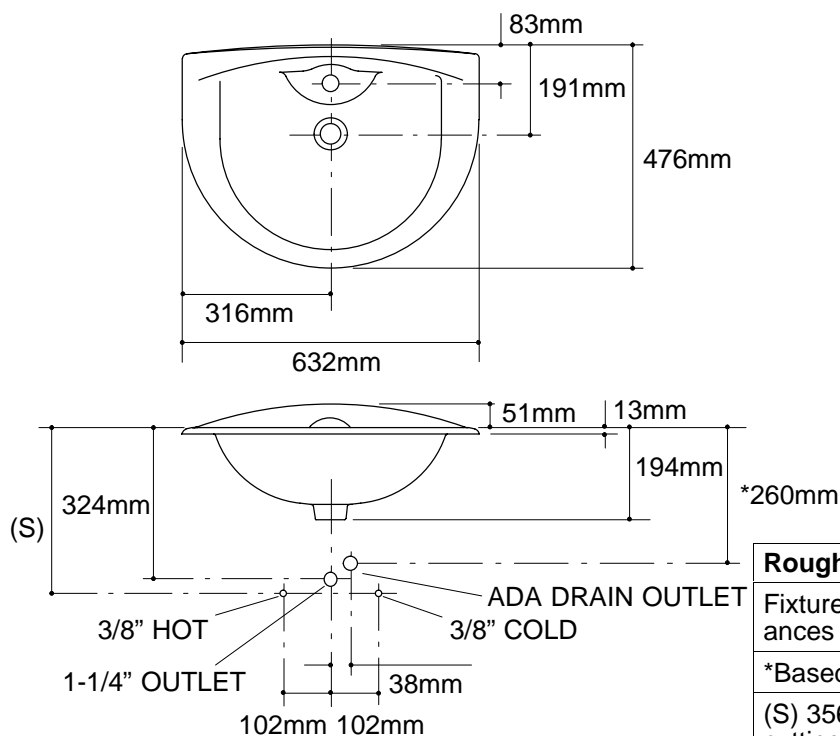
Product Information

ADA compliant.			
Fixture*:		basin area	water depth
Lavatory		483 x 305mm	149mm
Outlet	Ø44mm		
* Approximate measurements for comparison only.			
Holes	K-2246-1		
Faucet	Ø35mm		

Included Components:	
Adhesive sealant	63034
Cutout template	113603-X2

Installation Notes

Refer to installation instructions included with fixture before beginning installation.



Roughing-In Notes

Fixture dimensions are nominal and conform to tolerances in ANSI Standard A112.19.2.

*Based on K-8998, with 25mm tailpiece exposed.

(S) 356mm (Based on 305mm riser which may require cutting).

1.1>116