

Ordering Information

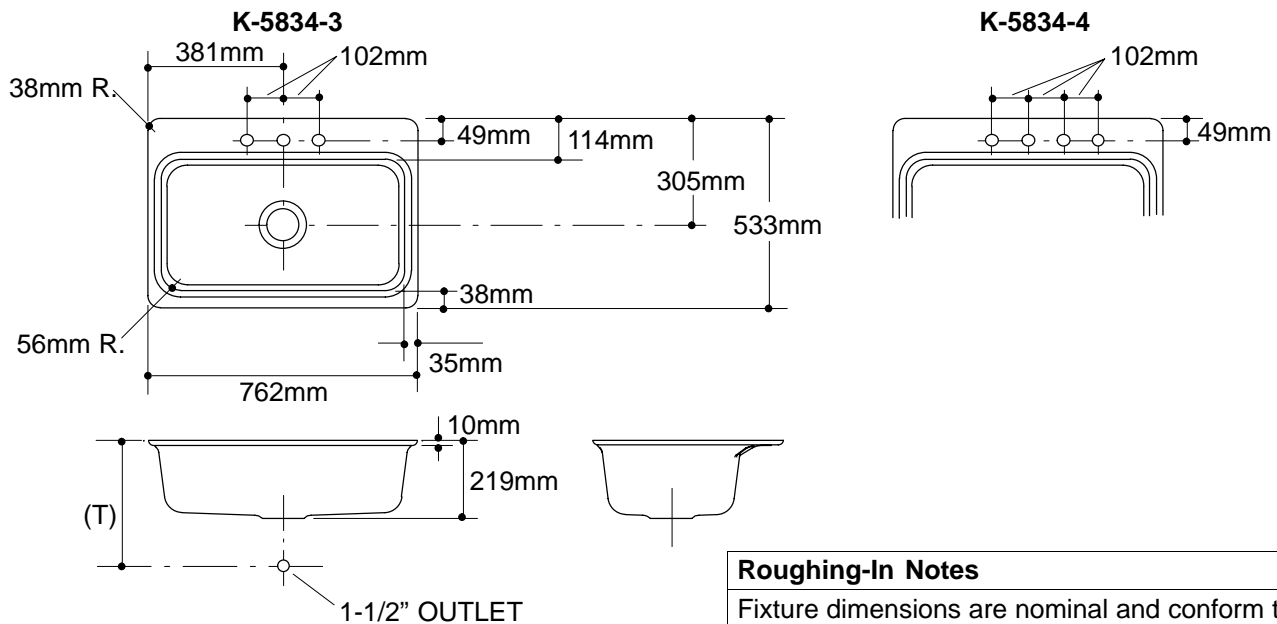
Applicable product:		
3-hole	K-5834-3	shown
4-hole	K-5834-4	not shown
Accessories/hardware:		
Duostrainer® sink strainer	K-8801	recommended
Cutting board	K-5836	optional
Bottom basin rack	K-6517	optional
Metal frame	K-6599	recommended

Product Information

Fixture*:		basin area	water depth
Sink		686 x 381mm	203mm
Outlets	Ø92mm		
Faucet holes	Ø35mm		
* Approximate measurements for comparison only.			

Installation Notes

Refer to installation instructions included with fixture before beginning installation.



Roughing-In Notes

Fixture dimensions are nominal and conform to tolerances in ASME/ANSI Standard A112.19.1M.

(T) Drain typically 356mm.

Cutout	Metal frame required.
--------	-----------------------

.75<116

K-5834 Bakersfield™ Sink
113820-1M-BA(-)

KOHLER®