

### Ordering Information

| Accessories/hardware: |           |          |
|-----------------------|-----------|----------|
| Jet trim kit          | K-9696    | required |
| Drain                 | K-7161-AF | optional |
| Shroud and base       | K-8740    | optional |
| Decorative drain      | K-7178    | optional |

### Required Electrical Service

|   |                     |
|---|---------------------|
| Dedicated circuit required, protected with Class A Ground-Fault Circuit-Interrupter (GFCI): |                     |
| Pump/control  | 120 V., 20 A, 60 Hz |

### Product Information

| Fixture*:    | basin area   | top area     | weight  |
|--------------|--------------|--------------|---------|
| Bathing well | 1118 x 559mm | 1321 x 737mm | 171 Kg. |
|              | water depth  | capacity     |         |
| To overflow  | 318mm        | 220 litres   |         |

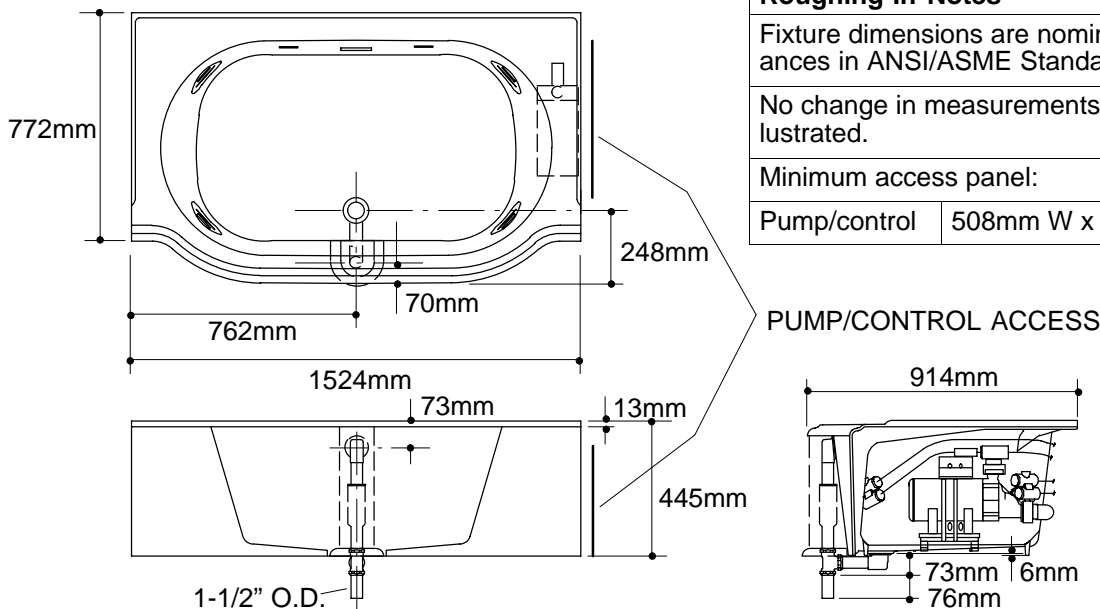
\* Approximate measurements for comparison only.

| Pump    | high HP | low HP | V   | Hz | A    |
|---------|---------|--------|-----|----|------|
| 2-speed | 1       | 1/8    | 120 | 60 | 16.5 |

### Installation Notes

Refer to installation instructions included with fixture before beginning installation.

Pump is supplied with a grounding type plug-in cord. Locate the outlet behind the whirlpool, and within 610mm of the pump.



### Roughing-In Notes

Fixture dimensions are nominal and conform to tolerances in ANSI/ASME Standard A112.19.1M.

No change in measurements if connected with drain illustrated.

Minimum access panel:

|              |                         |          |
|--------------|-------------------------|----------|
| Pump/control | 508mm W x 381mm H panel | required |
|--------------|-------------------------|----------|

1.25>132