

Ordering Information

Applicable product:		
With grip rail drillings	K-842-H	shown
Without grip rails	K-845-H	not shown
Accessories/hardware:		
Jet trim kit	K-9695	required
Drain	K-7161-AF	recommended
Adjustable feet	K-1172	optional
Grip rails (K-842 only)	K-9621	required
Undermount installation kit (K-845 only)	K-585	optional
Vinyl tiling-in bead*	K-1179	optional
*Use K-1179 vinyl bead when wall material contacts any top surface of bath.		

Required Electrical Service

Dedicated circuit required, protected with Class A Ground-Fault Circuit-Interrupter (GFCI):	
Pump/control	120 V., 20 A, 60 Hz

Product Information

Fixture*:	basin area	top area	weight
Bathing well	47" x 21"	57" x 25"	410 lbs.
	water depth	capacity	
To overflow	13"	55 gal.	

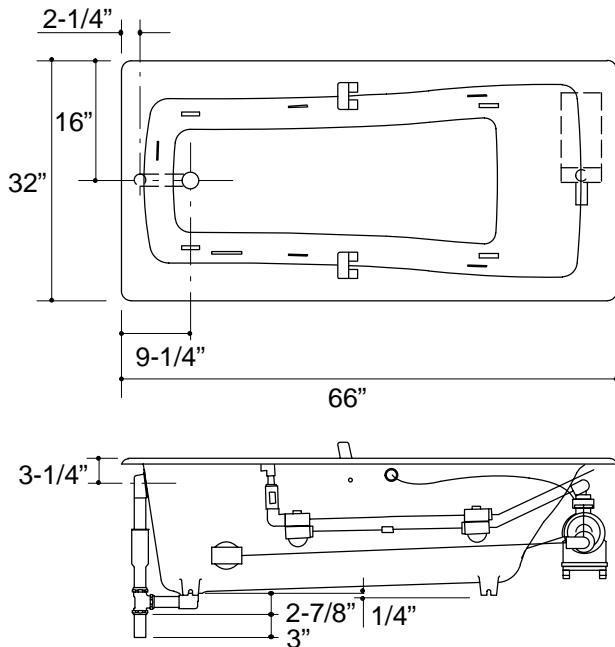
* Approximate measurements for comparison only.

Pump	high HP	low HP	V	Hz	A
2-speed	1	1/8	120	60	16.5

Each pump is supplied with a grounding type plug-in cord. Locate the outlet behind the whirlpool, and within 24" of the pump.

Installation Notes

Refer to installation instructions included with fixture before beginning installation.



1.25>132

Roughing-In Notes

Fixture dimensions are nominal and conform to tolerances in ANSI/ASME Standard A112.19.1.

No change in measurements if connected with drain illustrated.

Cut-out for drop-in 64-1/2" x 30-1/2"

Cut-out for undermount K-585 template required

Minimum access panel:

Pump/control 20" W x 15" H required

PUMP/CONTROL ACCESS

