

### Ordering Information

Accessories/hardware:		
Whitecap shower & foot whirlpool	K-1579	optional
Whitecap shower receptor	K-1587	optional

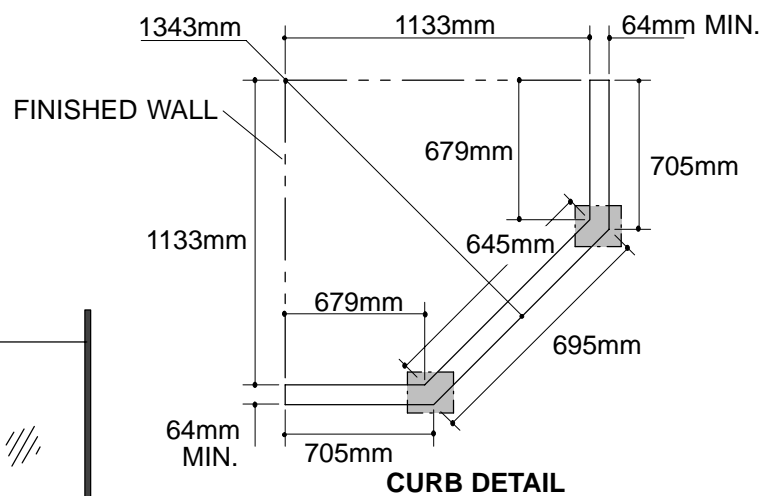
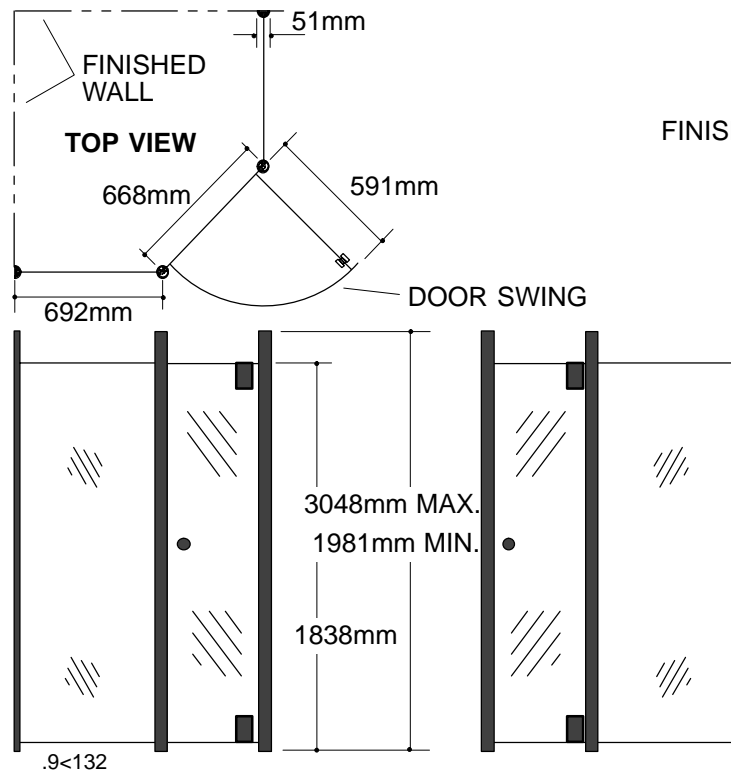
### Product Information

Fixture:	
Weight	66 Kg.
Glass, tempered safety	clear

### Installation Notes

Refer to installation instructions included with fixture before beginning installation.

Door can be for either left-hand or right-hand opening. Door shown below is for left-hand opening.



<b>Roughing-In Notes</b>	
Glass conforms to ANSI Z97.1.	
	Structural support required in the ceiling above these locations.
<b>Leave studs exposed.</b> Shower enclosure wall jambs must be installed directly to studs.	