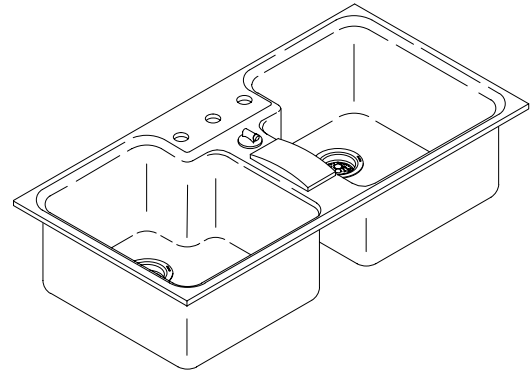


#### FEATURES

- 43" x 22"
- Cast iron
- Acid resistant enamel finish
- Tile-in
- Double (equal) compartment
- 3-hole (K-5856-3), or single-hole (K-5856-1) drilling
- Includes ecology chute and receptacle system
- Includes cutting board, and white polypropylene colander
- Includes K-8816 Duostrainer Dry remote control dual cable drain with two complete strainers in polished chrome



#### CODES/STANDARDS APPLICABLE

Specified model meets or exceeds the following:

- ASME/ANSI A112.19.1M
- IAPMO/UPC
- State of Massachusetts

#### COLORS/FINISHES

- 0 White
- Other Refer to Fixtures Price Book for additional colors

#### Accessories:

- CP Polished Chrome

#### SPECIFIED MODEL:

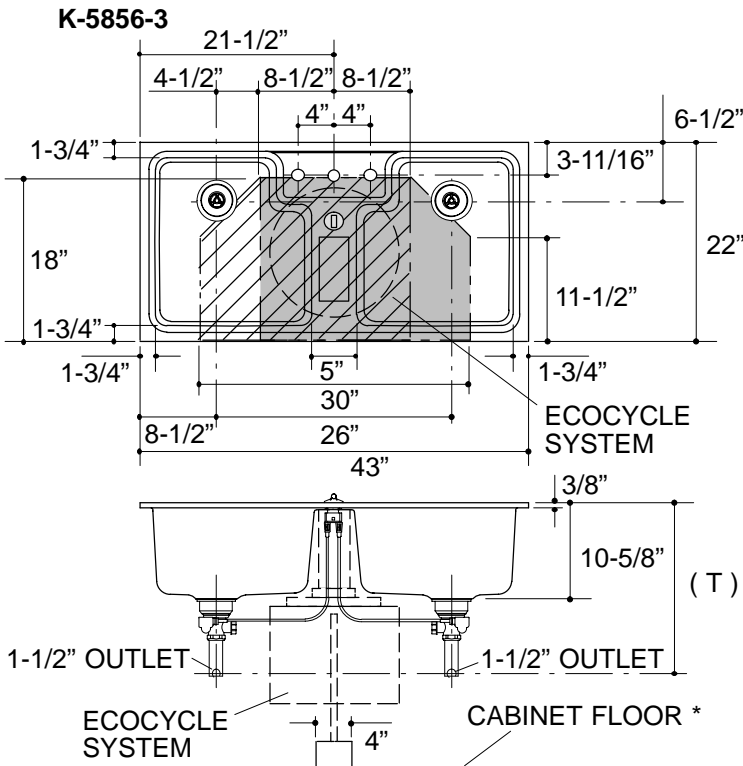
Model	Description	Colors/Finishes	
K-5856-3	3-hole sink	<input type="checkbox"/> 0 White	<input type="checkbox"/> Other_____
K-5856-1	Single-hole sink	<input type="checkbox"/> 0 White	<input type="checkbox"/> Other_____
Recommended Accessories			
K-9000	Trap	<input type="checkbox"/> CP	

#### PRODUCT SPECIFICATION:

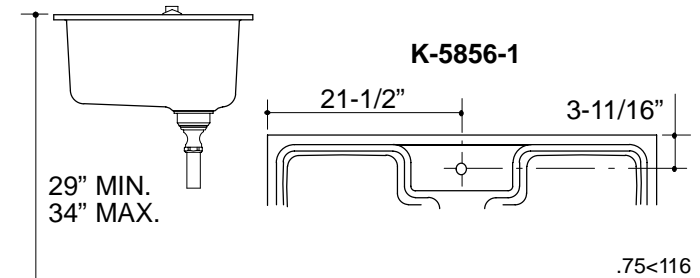
The tile-in sink shall be 43" in length, and 22" in width. Sink shall be made of cast iron with acid resistant enamel finish. Sink shall be double (equal) compartment. Sink shall be 3-hole (K-5856-3), or single-hole (K-5856-1) drilled. Sink shall include ecology chute and receptacle system, white polyethylene cutting board, white polypropylene colander and K-8816 Duostrainer Dry remote control dual cable drain with two complete strainers in polished chrome. Sink shall be Kohler Model K-5856-\_\_\_\_\_-\_\_\_\_\_.

## PRODUCT INFORMATION

Fixture*:		basin area	water depth
Sink		17" x 19"	9"
Outlet	3-5/8" D.		
Faucet holes	1-3/8" D.		
* Approximate measurements for comparison only.			



Roughing-In Notes							
* Dimensions are to cabinet floor (not finished floor).							
(T) Drain typically 19".							
<table border="1"> <tr> <td>Cutout</td> <td>41-3/4" x 20-3/4" with 2-1/4" radius corners.</td> </tr> <tr> <td></td> <td>No drain piping to extend into this area for right-hand delivery.</td> </tr> <tr> <td></td> <td>No drain piping to extend into this area for left-hand delivery.</td> </tr> </table>	Cutout	41-3/4" x 20-3/4" with 2-1/4" radius corners.		No drain piping to extend into this area for right-hand delivery.		No drain piping to extend into this area for left-hand delivery.	
Cutout	41-3/4" x 20-3/4" with 2-1/4" radius corners.						
	No drain piping to extend into this area for right-hand delivery.						
	No drain piping to extend into this area for left-hand delivery.						
To rough-in one center drain outlet rather than the two shown, route piping around the gray or crosshatched area.							



## PRODUCT DIAGRAM