

Ordering Information

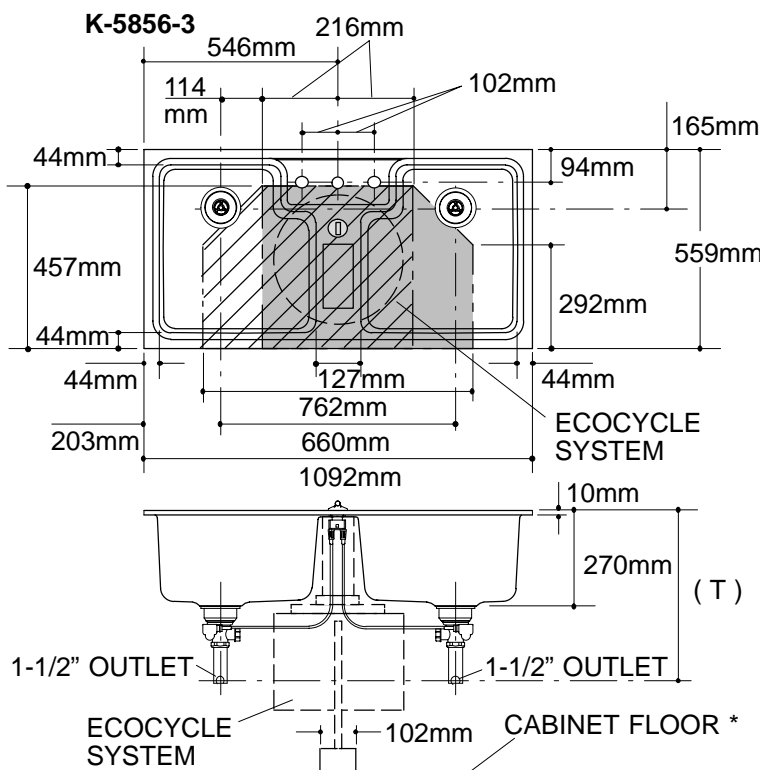
| | | |
|---------------------|----------|-----------|
| Applicable product: | | |
| Three-hole sink | K-5856-3 | shown |
| Single-hole sink | K-5856-1 | not shown |

Product Information

| | | | |
|-------------------------------------------------|-------|-------------|-------------|
| Fixture*: | | basin area | water depth |
| Sink | | 432 x 483mm | 229mm |
| Outlet | Ø92mm | | |
| Faucet holes | Ø35mm | | |
| * Approximate measurements for comparison only. | | | |

Installation Notes

Refer to installation instructions included with fixture before beginning installation.



| Roughing-In Notes | |
|-------------------------------------------------------------------------------------------------------------------|-------------------------------------------------------------------|
| Fixture dimensions are nominal and conform to tolerances in ASME/ANSI Standard A112.19.1M. | |
| * Dimensions are to cabinet floor (not finished floor). | |
| (T) Drain typically 483mm. | |
| Cutout | 1060 x 527mm |
| | No drain piping to extend into this area for right-hand delivery. |
| | No drain piping to extend into this area for left-hand delivery. |
| To rough-in one center drain outlet rather than the two shown, route piping around the gray or crosshatched area. | |

