

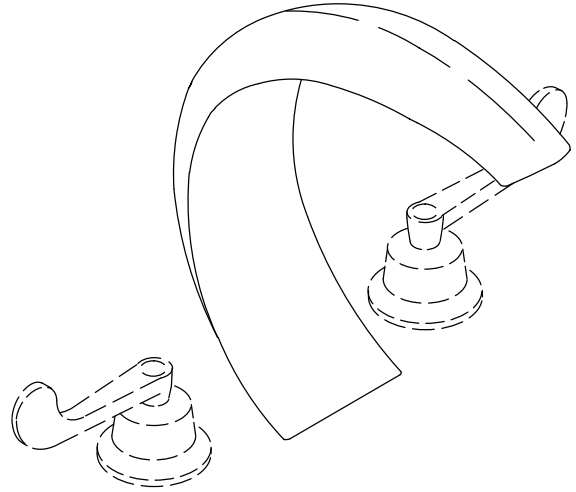
FEATURES

- Brass construction
- Deck-mount
- Brass valve bodies
- 1/2" quarter-turn washerless ceramic disc valves
- 7-1/2" Crescent non-diverter spout with N.P.T. connection
- Variety of handle style options

CODES/STANDARDS APPLICABLE

Specified model meets or exceeds the following:





- ASME/ANSI A112.18.1M
- CSA B125



COLORS/FINISHES

- CP Polished Chrome

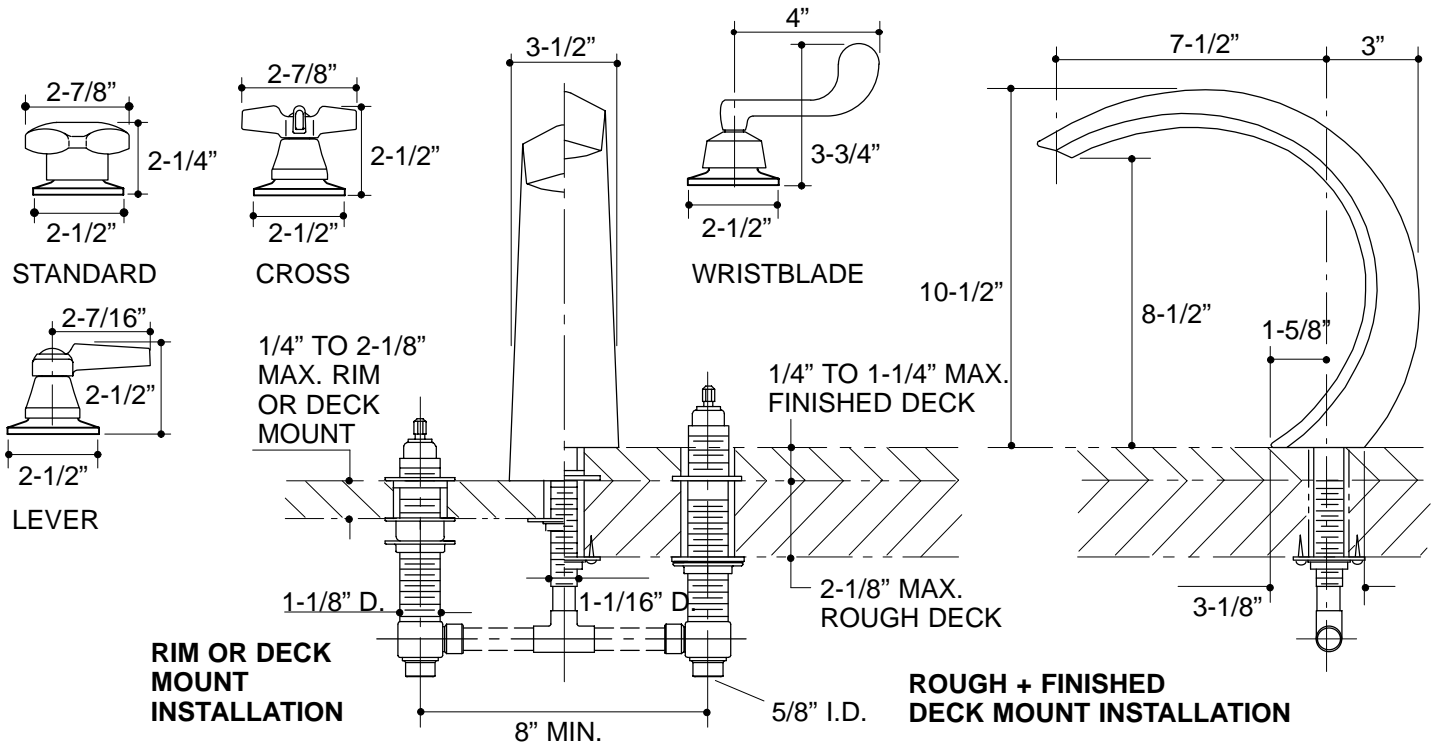
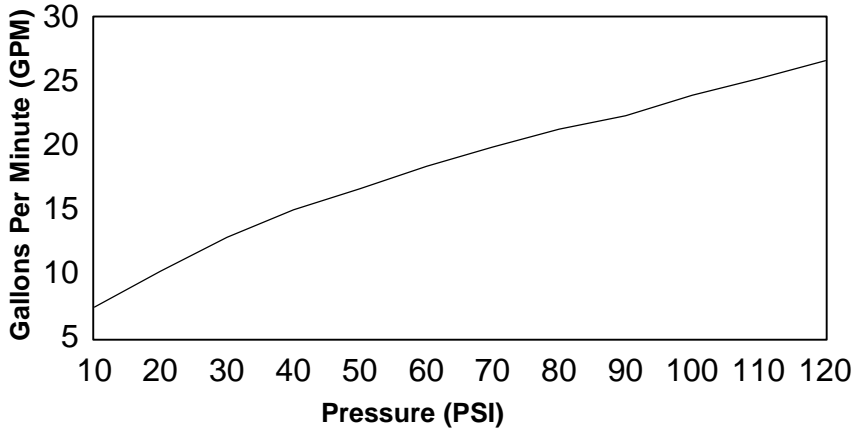
SPECIFIED MODEL:

Model	Description		 ADA	 ADA	 ADA
K-7025-2	With Standard Handles	<input type="checkbox"/> CP			
K-7025-3	With Cross Handles		<input type="checkbox"/> CP		
K-7025-4	With Lever Handles			<input type="checkbox"/> CP	
K-7025-5	With Wristblade Handles				<input type="checkbox"/> CP

PRODUCT SPECIFICATION:

Two-handle deck-mount bath faucet shall be of brass construction. Faucet shall feature brass valve bodies. Faucet shall feature 1/2" quarter-turn washerless ceramic disc valves, assuring positive handle stop positioning. Product shall include 7-1/2" Crescent non-diverter spout with N.P.T. connection, and handles. Faucet shall be Kohler Model K-7025-____-CP.

PERFORMANCE DATA



316

PRODUCT DIAGRAM