

Ordering Information

Accessories/hardware:		
Jet trim kit	K-9694	required
Drain	K-7163	recommended
Bath apron	K-1495	optional
Vinyl tiling-in bead*	K-1179	optional

*Use K-1179 vinyl bead when wall material contacts any top surface of bath.

Required Electrical Service

Dedicated circuit required, protected with Class A Ground-Fault Circuit-Interrupter (GFCI):	
Pump/control	120 V., 20 A, 60 Hz

Product Information

Fixture*:	basin area	top area	weight
Bathing well	914 x 533mm	1067 x 660mm	42 Kg.
	water depth	capacity	
To overflow	445mm	257 litres	

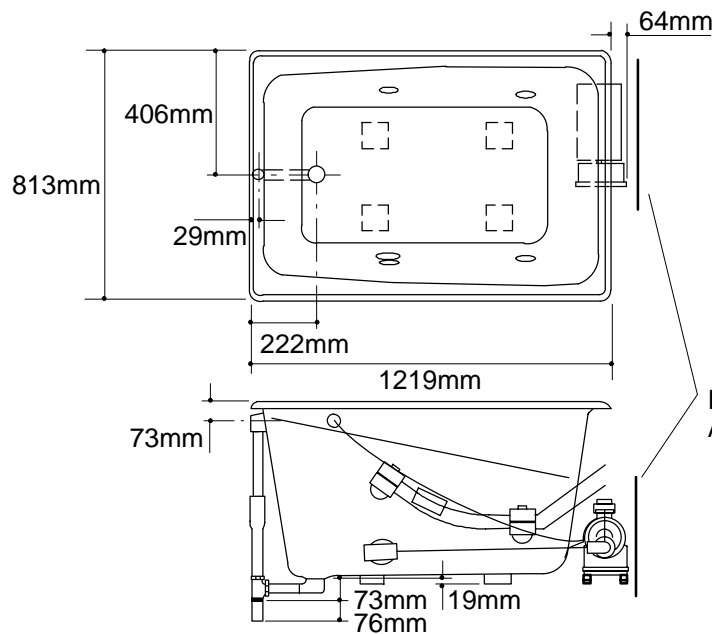
* Approximate measurements for comparison only.

Pump:	high	low	V	Hz	A
2-speed	1 hp	1/8 hp	120	60	16.5

Installation Notes

Refer to installation instructions included with fixture before beginning installation.

Pump is supplied with a grounding type plug-in cord. Locate the outlet behind the whirlpool, and within 610mm of the pump.



Roughing-In Notes

Fixture conforms to ANSI Standard Z124.1. All dimensions are nominal.

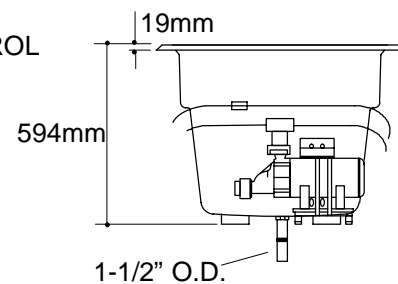
No change in measurements if connected with drain illustrated.

Cut-out 1181 x 775mm

Minimum access panel:

Pump/control 508mm W x 381mm H panel required

PUMP/CONTROL ACCESS



1.25>132