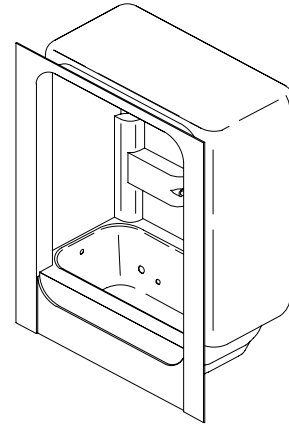


K-1563-H, K-1564-H

FEATURES

- 60" x 34" x 84"
- Acrylic
- Left or right outlet
- System II - 1 hp 2 speed pump with integral heater & electronic switch
- 4 Flexjets
- UL Listed
- LESS ALL TRIM
- Pump is supplied with a grounding-type plug-in cord



CODES/STANDARDS APPLICABLE

Specified model meets or exceeds the following:

- ANSI Z124.2
- ASME/ANSI A112.19.7M
- IAPMO/UPC
- Underwriters Laboratories (UL)
- State of Massachusetts
- Dade County, Florida

COLORS/FINISHES

- 0 White
- Other Refer to Fixtures Price Book for additional colors

Accessories:

- CP Polished Chrome
- PB Polished Brass
- SV Nevada Silver™
- BR New England Brass™
- SH Bright Silver
- BH Bright Brass
- Other Refer to Faucets Price Book for additional finishes
- NA None Applicable

SPECIFIED MODEL:

Model	Description	Colors/Finishes	
K-1563-H	Bath whirlpool with outlet at left	<input type="checkbox"/> 0 White	<input type="checkbox"/> Other_____
K-1564-H	Bath whirlpool with outlet at right	<input type="checkbox"/> 0 White	<input type="checkbox"/> Other_____

Required Accessories				
K-9694	Jet trim kit	<input type="checkbox"/> CP	<input type="checkbox"/> PB	<input type="checkbox"/> Other_____
Recommended Accessories				
K-7161-AF	Drain	<input type="checkbox"/> CP	<input type="checkbox"/> PB	<input type="checkbox"/> Other_____

Optional Accessories on Page 2

PRODUCT SPECIFICATION:

The bath whirlpool module shall be 60" in length, 34" in width, and 84" in height. Bath whirlpool shall be made of acrylic. Bath whirlpool shall have an outlet left or right. Bath whirlpool shall have System II, with 4 Flexjets, 1 hp 2-speed pump with integral heater, and electronic switch. Bath whirlpool shall be UL listed. Bath whirlpool shall be less all trim. Bath whirlpool pump shall be supplied with a grounding-type plug-in cord. Bath whirlpool shall be Kohler Model K-_____-H-_____.

SONATA®

Optional Accessories				
K-1559	Steam generator kit			<input type="checkbox"/> NA
K-1570	Dome light			<input type="checkbox"/> NA
K-9846	Sonata Glassworks steam bypass shower door* OR	<input type="checkbox"/> SV	<input type="checkbox"/> BR	
K-9855	Sonata Glassworks bypass shower door* OR	<input type="checkbox"/> SV	<input type="checkbox"/> BR	
K-703014	Forum™ bypass shower door*	<input type="checkbox"/> SH	<input type="checkbox"/> BH	0 White

* Refer to Fixtures Price Book for glass options.

REQUIRED ELECTRICAL SERVICE

Dedicated circuit required, protected with Class A Ground-Fault Circuit-Interrupter (GFCI):	
Pump/control	120 V., 20 A, 60 Hz

PRODUCT INFORMATION

Fixture*:	basin area	top area	weight		
Bathing well	47" x 21"	55" x 24"	250 lbs.		
	water depth	capacity			
To overflow	12-1/2"	53 gals.			

* Approximate measurements for comparison only.

Pump:	high HP	low HP	V	Hz	A
2-speed	1	1/8	120	60	16.5

INSTALLATION NOTES

Unit is not drilled for supply fittings.

Each pump is supplied with a grounding type plug-in cord. Locate the outlet behind the whirlpool, and within 24" of the pump.

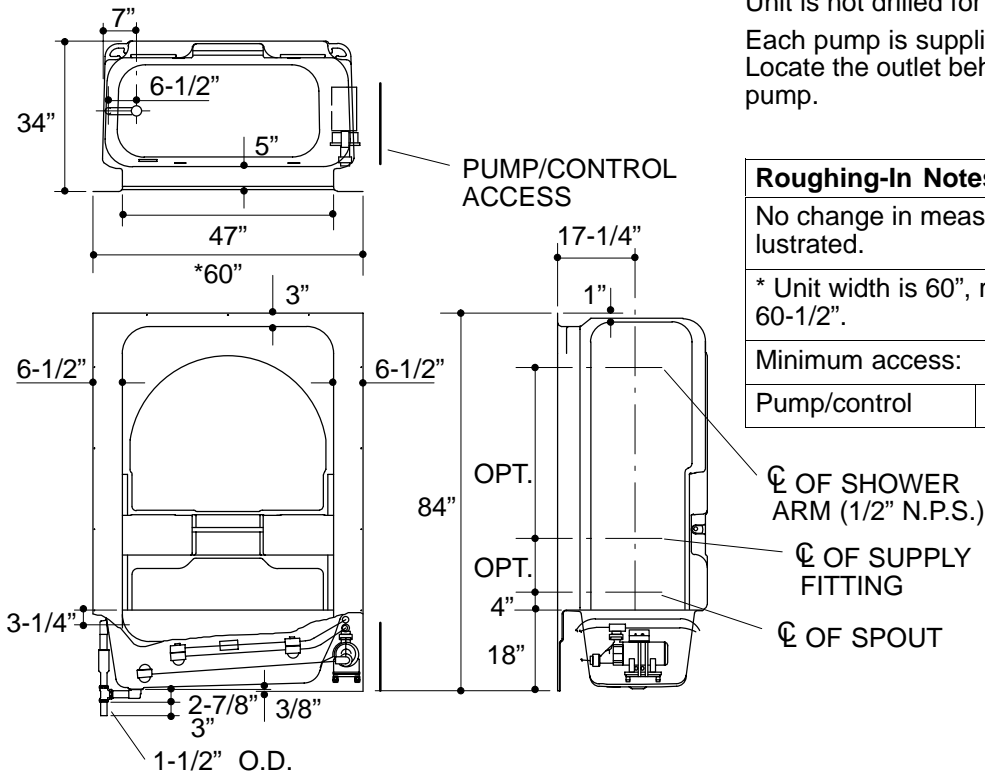
Roughing-In Notes

No change in measurements if connected with drain illustrated.

* Unit width is 60", roughing-in for stud frame **MUST** be 60-1/2".

Minimum access:

Pump/control	20" W x 15" H panel	required
--------------	---------------------	----------



.75<132

PRODUCT DIAGRAM